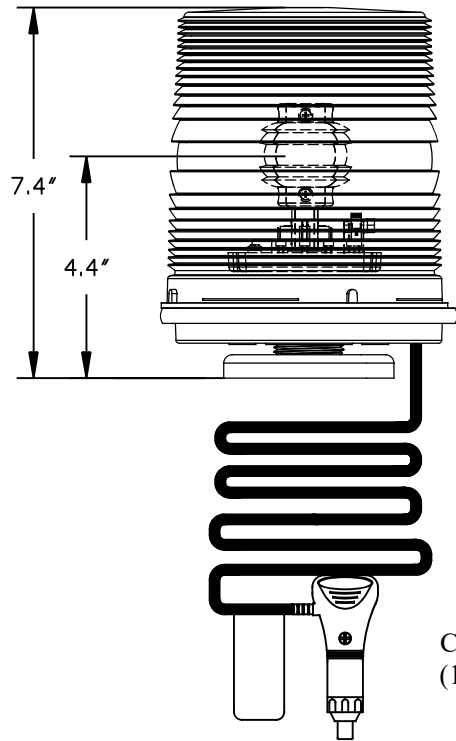
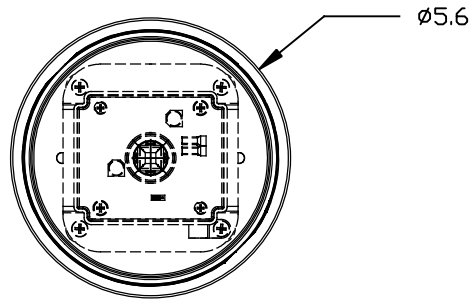
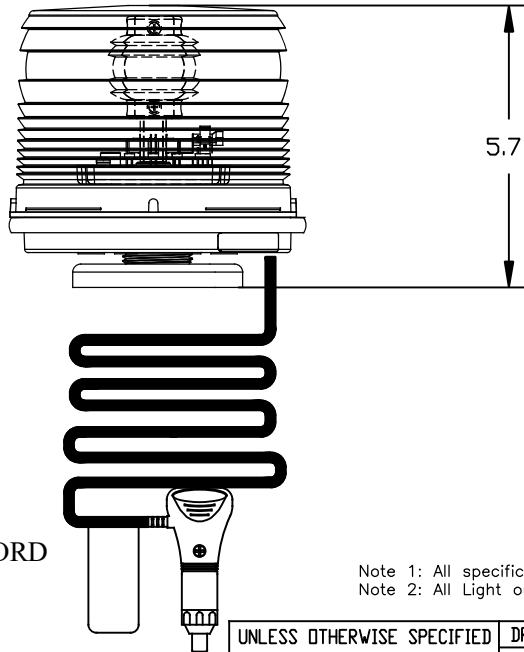


REV.	ECR	DESCRIPTION	DATE
-	14403	INITIAL DRAWING REQUEST	06/26/17



CIG. PLUG & CORD  
(11' MINIMUM)



**SPECIFICATIONS:**

Typical Input Voltage Range: 10–16VDC  
 Typical Current Draw (4 LED Module): 12.8VDC=0.60A  
 Typical Light Output (4 pcAmber LED Module): 626 lm(pk)  
 Typical Light Output (4 Blue LED Module): 269 lm(pk)  
 Typical Light Output (4 Red LED Module): 246 lm(pk)  
 Typical Light Output (4 Cool White LED Module): 1139 lm(pk)  
 Typical Light Output (4 Warm White LED Module): 937 lm(pk)  
 Lumen maintenance: 85% lumen after 100,000 hours of operation  
 Operating Temperature Range: -40C to 55C  
 Connections: 12' Cig plug  
 Magnet Mounting  
 Dimensions: (Tall Dome): 7.4" tall x 5.6" dia.  
 (Short Dome): 5.7" tall x 5.6" dia.

Materials: Outer Dome: Polycarbonate  
 Inner Optics: Polycarbonate  
 Base: Polycarbonate  
 Heatsink Materials: Aluminum

**Model Numbers / Descriptions**

Classifications for Amber Visual Warning Devices:  
 255HTCLM-A: SAE Class 1, Ultra High Intensity LEDs, magnetic mount, 4 Warm White LEDs, Tall Amber Lens.  
 255HTSLM-A: SAE Class 1, Ultra High Intensity LEDs, magnetic mount, 4 Warm White LEDs, Short Amber Lens.  
 255HTCLM-B: SAE Class 2, Ultra High Intensity LEDs, magnetic mount, 4 Cool White LEDs, Tall Blue Lens.  
 255HTSLM-B: SAE Class 2, Ultra High Intensity LEDs, magnetic mount, 4 Cool White LEDs, Short Blue Lens.  
 255HTCLM-C: SAE Class 1, Ultra High Intensity LEDs, magnetic mount, 4 Cool White LEDs, Tall Clear Lens.  
 255HTSLM-C: SAE Class 2, Ultra High Intensity LEDs, magnetic mount, 4 Cool White LEDs, Short Clear Lens.  
 255HTCLM-G: Ultra High Intensity LEDs, magnetic mount, 4 Cool White LEDs, Tall Green Lens.  
 255HTSLM-G: Ultra High Intensity LEDs, magnetic mount, 4 Cool White LEDs, Short Green Lens.  
 255HTCLM-R: SAE Class 2, Ultra High Intensity LEDs, magnetic mount, 4 Red LEDs, Tall Red Lens.  
 255HTSLM-R: SAE Class 2, Ultra High Intensity LEDs, magnetic mount, 4 Red LEDs, Short Red Lens.

Note 1: All specifications based on Quad Flash Pattern.  
 Note 2: All Light output specifications are of the internal light module acting alone.

UNLESS OTHERWISE SPECIFIED DIMENSIONS ARE IN INCHES TOLERANCES: ANGULAR: ± 2 DEG. ± .X .100 ± .XX .020 ± .XXX .005 ± .XXXX .001	DRAWN BY: MD/DPL	STAR HEADLIGHT & LANTERN CO., INC. 455 Rochester St. Avon NY 14414 Ph:(585) 226-9500 Fax: (585) 226-2029	
	DRAWING APPROVED BY ECR		
RoHS COMPLIANT: NO	THE INFORMATION CONTAINED IN THIS DRAWING IS THE SOLE PROPERTY OF STAR HEADLIGHT & LANTERN CO., INC.. ANY REPRODUCTION IN PART OR AS A WHOLE WITHOUT THE WRITTEN PERMISSION OF STAR HEADLIGHT & LANTERN CO., INC. IS STRICTLY PROHIBITED.	MODEL: 255HTCLM	
MATERIAL: N/A		TITLE: 255HTCLM MODEL DRAWING	
FINISH: N/A	DWG. NO. 255HTCLM	REV -	
	SCALE: NTS	DO NOT SCALE FROM DRAWING	SHEET 1 OF 1