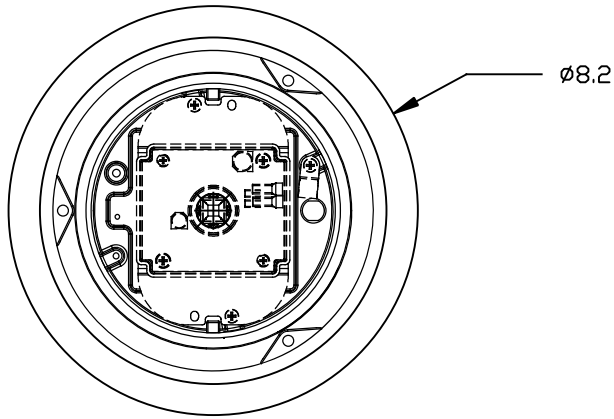


REV.	ECR	DESCRIPTION	DATE
-	14403	INITIAL DRAWING REQUEST	06/26/17



Ø8.2

SPECIFICATIONS:

Typical Input Voltage Range: 10–16VDC
 Typical Current Draw (8 LED Module): 12.8VDC=0.70A
 Typical Current Draw (4 LED Module): 12.8VDC=0.60A
 Typical Light Output (4 pcAmber LED Module): 626 lm(pk)
 Typical Light Output (4 Blue LED Module): 269 lm(pk)
 Typical Light Output (4 Red LED Module): 246 lm(pk)
 Typical Light Output (4 Cool White LED Module): 1139 lm(pk)
 Typical Light Output (4 Warm White LED Module): 937 lm(pk)
 Typical Light Output (8 Warm White LED Module): 1311 lm(pk)
 Typical Light Output (8 Cool White LED Module): 1593 lm(pk)
 Typical Light Output (8 pcAmber LED Module): 895 lm(pk)
 Lumen maintenance: 85% lumen after 100,000 hours of operation
 Operating Temperature Range: -40C to 55C
 Connections: 11' Min Cig. wires exiting the unit.
 Vacuum Mounting Type

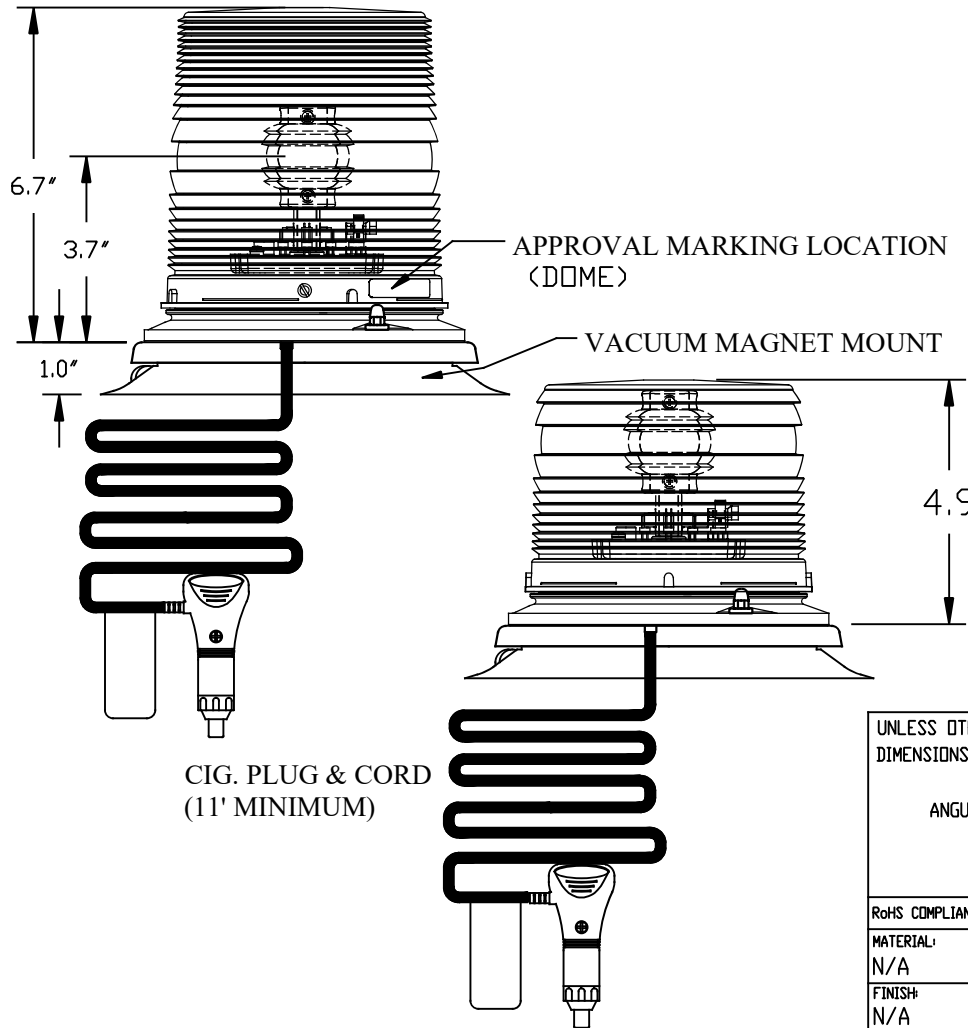
Dimensions: (Short Dome): 4-29/32" tall x 8-13/64" dia.
 (Tall Dome): 6-11/16" tall x 8-13/64" dia.

Materials: Outer Dome: Polycarbonate
 Inner Optics: Polycarbonate
 Base: Polycarbonate
 Heatsink Materials: Aluminum

Model Numbers / Descriptions

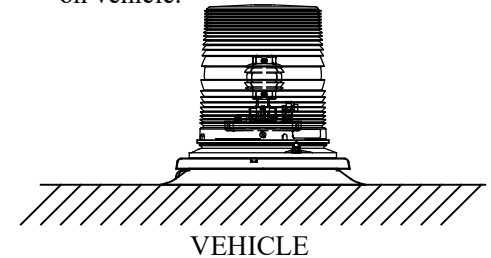
Classifications for Amber Visual Warning Devices:

- 255H8TALV-A: SAE Class I, California Title 13, Ultra High Intensity LEDs, vacuum magnetic mount, 8 Warm White LEDs, tall Amber lens w/Dust Cover.
 - 255H8TCLV-A: SAE Class I, Ultra High Intensity LEDs, vacuum magnetic mount, 8 Warm White LEDs, tall Amber lens.
 - 255H8TSLV-A: SAE Class I, Ultra High Intensity LEDs, vacuum magnetic mount, 8 Warm White LEDs, short Amber lens.
 - 255HTCLV-A: SAE Class I, High Intensity LEDs, vacuum magnetic mount, 4 Warm White LEDs, tall Amber lens.
 - 255HTSLV-A: SAE Class I, High Intensity LEDs, vacuum magnetic mount, Warm White LEDs, short Amber lens.
- Classifications for Blue Visual Warning Devices:
- 255HTCL-BC: SAE Class I, High Intensity LEDs, flange mount, 4 Blue LEDs, Tall Clear lens.



CIG. PLUG & CORD
(11' MINIMUM)

Product to be level when flush mounted on vehicle.



Note 1: All specifications based on Quad Flash Pattern.
 Note 2: All Light output specifications are of the internal light module acting alone.

UNLESS OTHERWISE SPECIFIED DIMENSIONS ARE IN INCHES TOLERANCES: ANGULAR: ± 2 DEG. ± .X .100 ± .XX .020 ± .XXX .005 ± .XXXX .001	DRAWN BY: MD/DPL	STAR HEADLIGHT & LANTERN CO., INC. 455 Rochester St. Avon NY 14414 Ph:(585) 226-9500 Fax: (585) 226-2029	
	DRAWING APPROVED BY ECR		
RoHS COMPLIANT: NO	THE INFORMATION CONTAINED IN THIS DRAWING IS THE SOLE PROPERTY OF STAR HEADLIGHT & LANTERN CO., INC. ANY REPRODUCTION IN PART OR AS A WHOLE WITHOUT THE WRITTEN PERMISSION OF STAR HEADLIGHT & LANTERN CO., INC. IS STRICTLY PROHIBITED.	MODEL: 255HTLV	
MATERIAL: N/A		TITLE: 255HTLV MODEL DRAWING	
FINISH: N/A		DWG. NO. 255HTLV	REV -
		SCALE: NTS	DO NOT SCALE FROM DRAWING
		SHEET 1 OF 1	