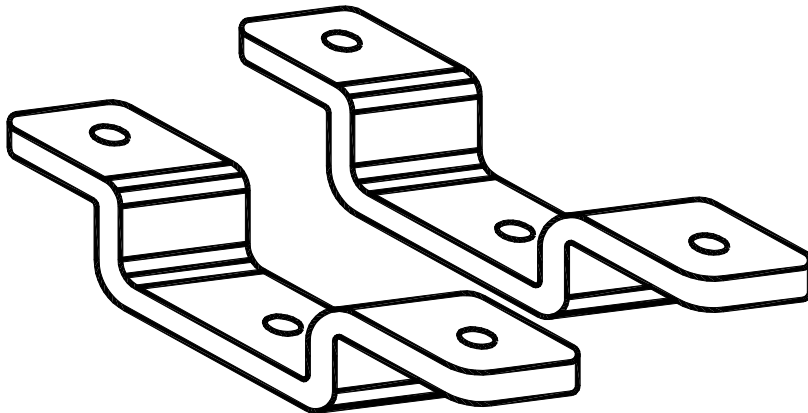

INSTALLATION AND INSTRUCTION MANUAL



920-39T

Direct Mount Kit for All Star Lightbars



Star Headlight & Lantern Co., Inc.

455 Rochester Street Avon, NY 14414

Phone: 585-226-9787 FAX: 888-478-2797

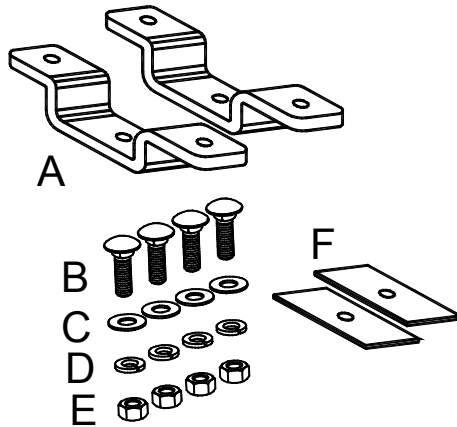


www.starheadlight.com

PLIT435 REV. - 4/18/09

920-39 MOUNTING BRACKET PARTS LIST

	<u>QTY</u>	<u>Part #</u>	<u>Description</u>
A	2	P920-45P	Mounting Brackets
B	4	P30057-4	5/16" x 1" Stainless Steel Carriage Bolt
C	4	P30077-1	5/16" Flat Washer
D	4	P30077-2	5/16" Lock Washer
E	4	P30097-1	5/16"-18 Hex Nut
F	2	P30047-32	Foam Gasket



NOTICE

Due to continuous product improvements, we must reserve the right to change any specifications and information, contained in this manual at any time without notice. Star Headlight & Lantern Co., Inc. makes no warranty of any kind with regard to this manual, including, but not limited to, the implied warranties of merchantability and fitness for a particular purpose. Star Headlight & Lantern Co., Inc. shall not be liable for errors contained herein or for incidental or consequential damages in connection with the furnishing, performance, or use of this manual.

Please Note: These instructions are provided as a general guideline only. *Some vehicles may require special mounting, wiring, and/or weather-sealing. This is the sole responsibility of the installer.* Star Headlight & Lantern Co., Inc. assumes no responsibility for the integrity of the installation for this or any of its products.



When mounting your lightbar, please be sure to keep any radio frequency sensitive equipment at least 20" from the bar and power cable(s). This is especially critical in lightbars utilizing strobes. Our strobe power supplies have been designed to limit RFI emissions, but certain very sensitive equipment may still be affected. Symptoms may include, but are not limited to, sporadic operation and degraded performance. Star Headlight & Lantern Co., Inc. cannot assume any responsibility for any radio frequency induced malfunction or damage to any radios, sirens, lightbars, or any other equipment mounted within 20" a strobe lightbar. Any antennae mounted in the proximity of the lightbar may cause your radio to suffer the aforementioned results.



It is the sole responsibility of the owner to ensure the lightbar is mounted securely. Check your light every time you enter the vehicle to ensure that it is mounted securely. The manufacturer assumes no responsibility for the secure mounting of this light.



PLEASE NOTE: THE DIRECT MOUNT IS THE STANDARD MOUNT INCLUDED WITH THE LIGHTBAR. THE HOOK MOUNTS MUST BE USED ON ALL POLICE AND/OR OTHER EMERGENCY VEHICLES!!!
THE HOOK MOUNTS ARE SOLD SEPARATELY. THEY ARE NOT INCLUDED WITH EACH LIGHTBAR. THEY MUST BE ORDERED SEPARATELY. SEE THE ACCOMPANYING HOOK MOUNT SHEET FOR A COMPLETE LIST OF AVAILABLE MOUNTS AND KNOWN VEHICLE APPLICATIONS.

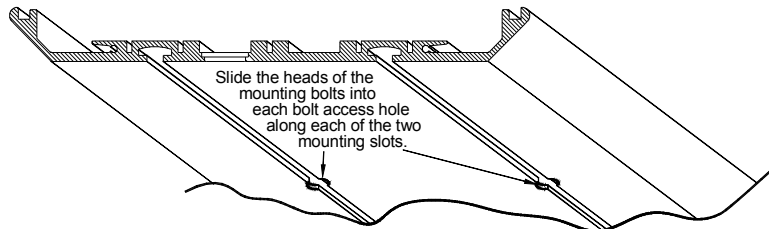
Direct Mount Instructions

Please review this entire manual prior to mounting your lightbar.

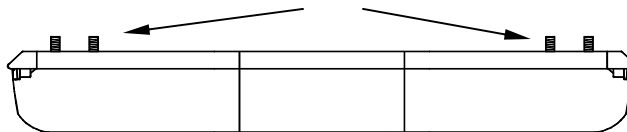
PLEASE NOTE: THE 920-39T DIRECT MOUNT IS DESIGNED FOR DIRECT PERMANENT MOUNTING ONLY!!!

HOOK MOUNTS ARE SOLD SEPARATELY AND REQUIRE THE 920-39 MOUNTING BRACKETS.

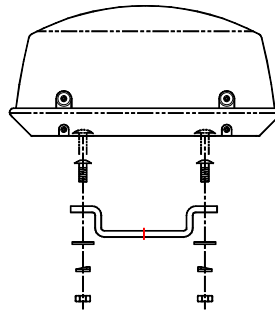
1. Carefully remove the lightbar and the direct mount kit included with the bar from its shipping carton. Place it on a clean, flat surface while taking care not to damage the lightbar or wiring cable. Examine the unit for any possible damage during transit.
2. All lightbars come complete with the direct roof mount kit, for mounting through your rooftop (or other mounting surface).
3. Install the mounting legs that came enclosed with your lightbar by sliding the four carriage bolts into the channels running underneath the lightbar.



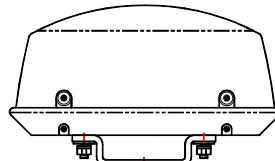
4. Slide two bolts in each channel, one towards each end. You will use two bolts on each end (one in each channel) to secure the mounting bracket.



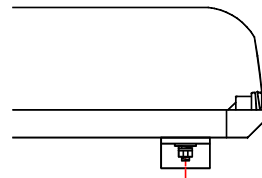
5. Position one bracket on the two bolts at each end of the lightbar in the approximate locations to match up with the roof area where you will mount your lightbar. Be aware of your wire access to the lightbar when choosing the location of these brackets.



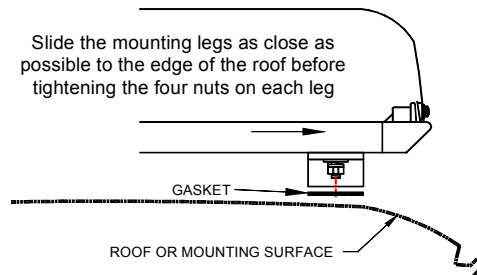
6. After the bracket has been placed on the two carriage bolts, install one flat washer, one lock washer, and one hex-nut on each carriage bolt. Tighten hex nuts until snug, but loose enough that the mounting bracket can still slide for accurate pre-positioning.



7. Carefully place your lightbar in position onto the roof of the vehicle while using the gasket or a pad to protect the roof from scratches.



8. Slide the brackets as close to the edge of the roof or mounting surface as possible.



9. Once the lightbar is in the correct position, level front to back and centered side-to-side, tighten hex nuts.
10. Using the mounting bracket feet as templates, mark the areas for the two holes to be drilled. Take care to ensure that the bases do not move while you are marking each of the holes.
11. Remove the lightbar, and drill holes in the roof of the vehicle. **CAUTION: Take care not to drill through the headliner below.** Remove any burrs.
12. Place the foam gaskets between the legs and the roof of the vehicle. The gaskets will provide a barrier that separates the metal of the leg from the metal of the roof. It will also help absorb any excess vibration and provide a barrier against any leakage. Attach the lightbar and brackets to the vehicle using two suitable fasteners obtained locally. Review the lightbar manual for wiring instruction.