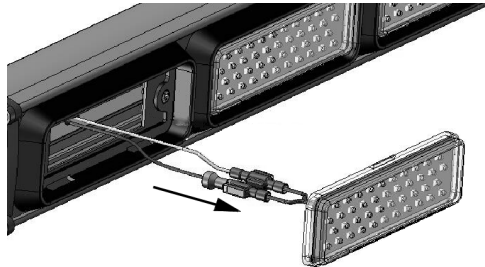


TD93-DLXTRH

Replacement LED Head for TD93DLXT and TD93DLXTARO

1. Using a small flat bladed screw driver carefully pry the DLXT head out of the housing.

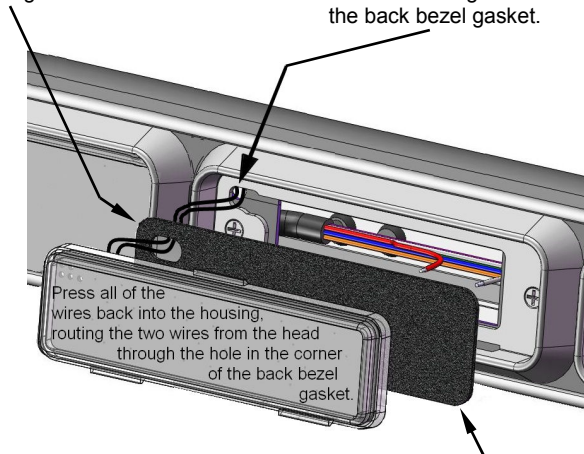
A new gasket is enclosed with your replacement head so you do not need to worry about damaging the gasket between the head and the bezel.



2. Disconnect the faulty head.

3. Plug in the new head, ensuring the wires are routed through the **new** compression gasket.

4. Carefully push all of the wires back into the extrusion, running the two wires from the head through the hole in the corner of the back bezel gasket.



5. Position the compression gasket back into place inside the bezel and snap the LED head back into the bezel



Take care that the compression gasket remains flat when you snap in the LED array.



Star Headlight & Lantern Co., Inc.

455 Rochester Street Avon, NY 14414

Phone: 585-226-9787 FAX: 888-478-2797



www.starheadlight.com

PLIT452 REV. - 8/2/11