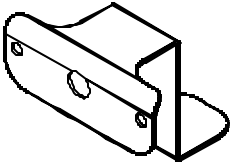
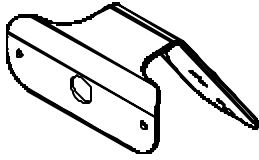


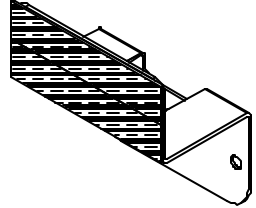
Installation Instructions for DLX3 Mounting Brackets



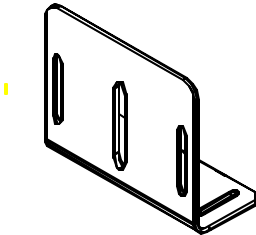
DECK BRACKET
274-DLX3D



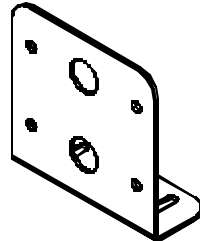
TRUNK BRACKET
274-DLX3T



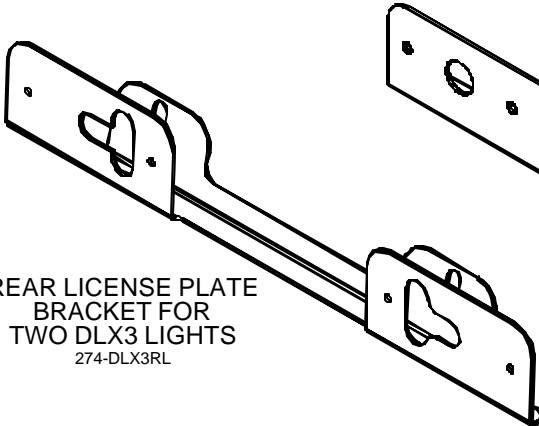
VERTICAL WINDOW BRACKET
274-DLX3W



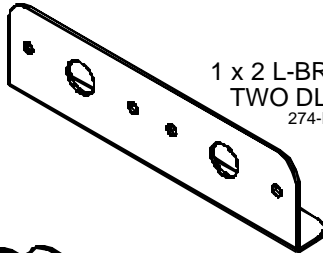
UNIVERSAL L-BRACKET
274-DLX3U



2 x 1 L-BRACKET FOR TWO DLX3 LIGHTS
274-DLX3-2X1



REAR LICENSE PLATE BRACKET FOR TWO DLX3 LIGHTS
274-DLX3RL



1 x 2 L-BRACKET FOR TWO DLX3 LIGHTS
274-DLX3-1X2

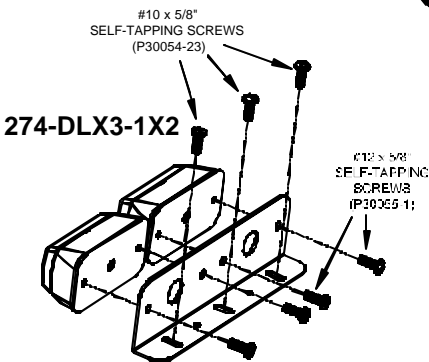
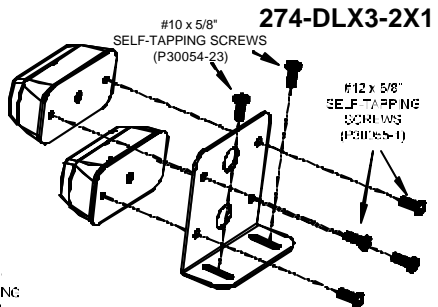
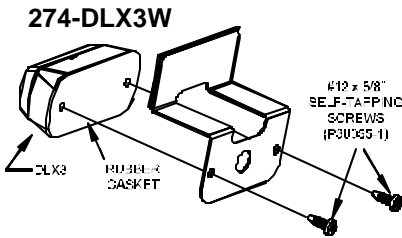
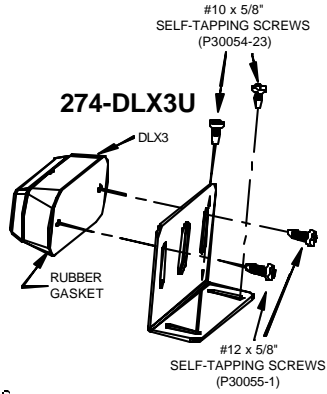
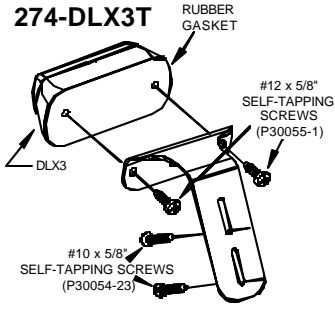
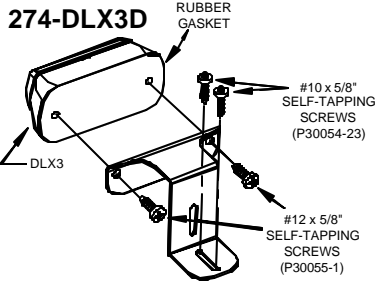
Star Headlight & Lantern Co., Inc.

455 Rochester Street Avon, NY 14414

Phone: 585-226-9787 FAX: 888-478-2797



www.starheadlight.com



For all models EXCEPT for the 274-DLX3RL: Mount the DLX3 light(s) on the bracket as shown in the appropriate diagram. Removal of the outer lens is not necessary. Mount the DLX3 using the two #12 x 5/8" screws through the back of the mounting bracket as shown.

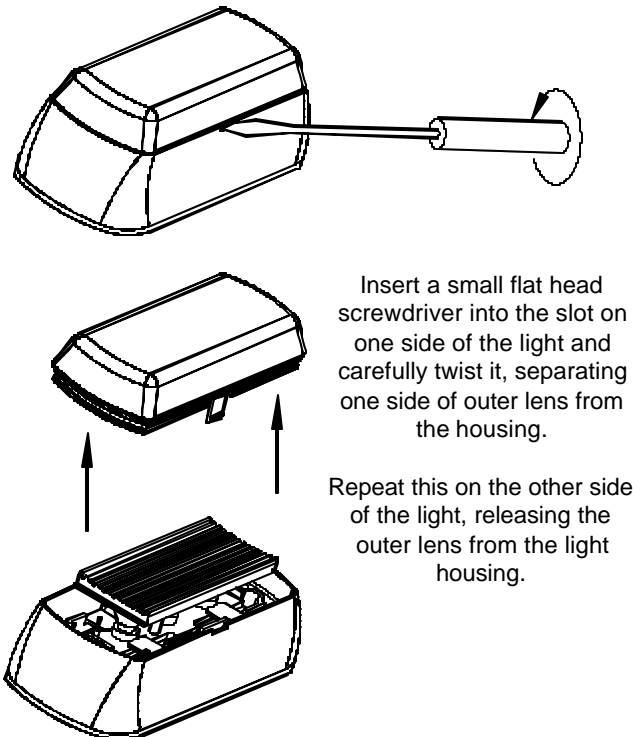
For models 274-DLX3D, 274-DLX 3T, 274-DLX 3U, 274-DLX3-1X2, or 274-DLX3-2X1: Use the two #10 x 5/8" screws to mount the bracket to the mounting surface. **CAUTION!!! Do not over tighten the screws!!!**

For model 274-DLX3W: Use the double-sided tape to affix the bracket to the rear window of your truck. Use alcohol to clean the surface of the glass, allowing it to completely dry before applying the bracket to the window. **CAUTION:** Do not touch the surface of the tape before attaching it to the glass.

274-DLX3RL

1. Mount the 274-DLX3RL bracket to your vehicle using the lower two license plate screw holes. Slide the bracket behind the license plate, between it and the vehicle. Use the two ¼-20 x ½" screws provided.
2. Carefully remove the outer lens on your light by inserting a slotted screwdriver into one of the slots on the side between the housing and the lens. Carefully twist the screwdriver until the lens separates from the housing.
3. Repeat step 2 with the slot on the opposite side of the lens to completely free the lens from the housing. **Please note** that there may be silicone lubrication on the O-Ring. Take care not to smear the lubricant onto the lens or housing. **DO NOT** wipe the lubricant off, as it will be necessary to ensure proper reassembly.

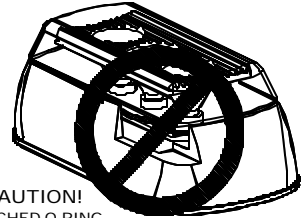
CAUTION: Take care not to damage the lens, housing, or the O-Ring around the lens.



4. Place the gasket over the holes in your mounting bracket and then place the light on top. Insert the appropriate screws through the front of the light as pictured below and carefully tighten the screws. While tightening the screws, check the gasket to ensure it is resting flat and that there are no gaps between the light and the mounting surface.

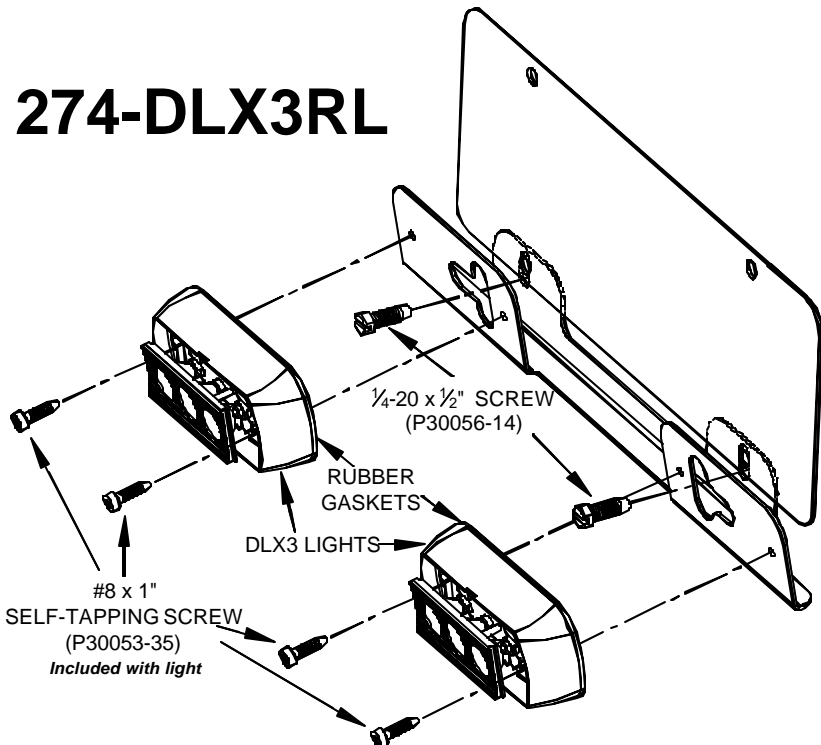
CAUTION: *Take extreme caution not to over tighten the screws!!! Over tightening of the screws can strip the holes and result in a faulty mount.*

5. **Before replacing the front lens, check the O-Ring to be sure there is lubricant on it to aid in reassembly.** Unlubricated O-Rings are likely to become pinched, bunched, or stretched during installation of the front lens and may result in a leaky seal. If the lubricant has dried or has been wiped off, you may use a small amount of liquid soap around the O-Ring. If you must lubricate the O-Ring, use your lubricant sparingly so as not to get any on the lens, housing, or circuit. Replace the clear outer lens on the light. **TAKE EXTREME CAUTION that you do not damage the O-Ring around the lens. Ensure that the O-Ring sets firmly in the groove around the lens so that it doesn't get pinched, stretched, or gouged.**



CAUTION!
PINCHED O-RING

274-DLX3RL



Mount the 274-DLX3RL bracket to the two lower license plate screw holes, between the plate and the vehicle as shown above. Then mount the DLX3 lights onto the bracket. Removal of the outer lens *is necessary* (see page 2). Install the two #8 x 1" screws through the front of the light and into the 274-DLX3RL.

CAUTION!!! Do not overtighten the screws!!!