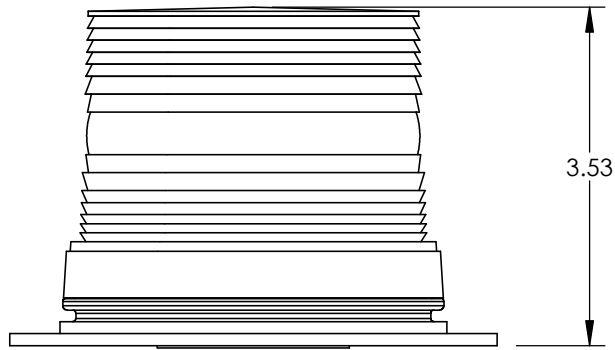


REV.	ECR	DESCRIPTION	DATE
-	16752	INITIAL DRAWING REQUEST	08/28/19
A	16957	UPDATED SAE APPROVALS CHART	11/27/19



SPECIFICATIONS:

OPERATING RANGE: 10-110 VDC
 NOMINAL VOLTAGE: 12/24/36/48/72 VDC
 TYPICAL CURRENT DRAW: 0.1A AVG, 0.4A PEAK @ 12.8V
 OPERATING TEMPERATURE RANGE: -40F (-40C) TO 131F (55C)

CONNECTIONS:

22 GAGE RED WIRE 10" (254mm) LONG + POWER
 22 GAGE BLACK WIRE 10" (254mm) LONG - GROUND
 22 GAGE GREEN WIRE 10" (254mm) LONG - PATTERN SELECT

INSTALLATION:

3 HOLE FLANGE MOUNTING 4.63 B.C.

MOUNTING HARDWARE:

#10-32 X 1" PHILLIPS PAN MS STAINLESS STEEL
 #10 INT TOOTH LOCK S/S 410 WASHER
 #10-32 MS HEX SCR NUT STAINLESS STEEL
 BUTT SPLICE #18-22 AWG
 RUBBER WIRE GROMMET

MATERIALS:

OUTER DOME: POLYCARBONATE
 BASE: POLYCARBONATE / ABS BLEND
 MOUNTING GASKET: EPDM CLOSED CELL RUBBER

CERTIFICATIONS:

SAE J845
 SEE CHART

PRODUCT LABEL:

WHITE POLYESTER STOCK 3" X .375"
 BLACK PRINT

INDIVIDUAL PACKAGING: APPROXIMATELY 0.3Kg(0.7 lbs.)

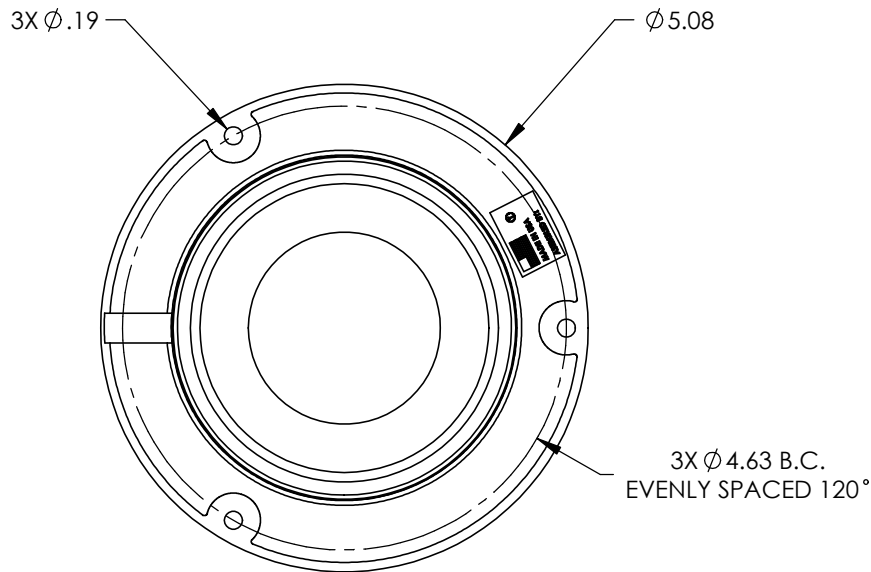
INDIVIDUAL WHITE BOXES
 MODEL INFORMATION PRINTED ON LABEL
 MODEL BAR CODE PRINTED ON LABEL

MASTER PACKAGING: APPROXIMATELY 5.9Kg(13 lbs.)

18 PER MASTER CARTON

INSTRUCTION SHEET:

1 PROVIDED



MODEL	COLOR	CERT. MARKING
203MVL-A	AMBER	SAE W3-2 19
203MVL-B	BLUE	SAE W3-3 19
203MVL-R	RED	TBD



UNLESS OTHERWISE SPECIFIED DIMENSIONS ARE IN INCHES TOLERANCES: ANGULAR: ± 2 DEG. .X ± .100 .XX ± .020 .XXX ± .005 .XXXX ± .001	DRAWN BY: MD	STAR HEADLIGHT & LANTERN CO., INC. 455 Rochester St. Avon NY 14414 Ph:(585) 226-9500 Fax: (585) 226-2029	
	DRAWING APPROVED BY ECR		
RoHS COMPLIANT: Yes	THE INFORMATION CONTAINED IN THIS DRAWING IS THE SOLE PROPERTY OF STAR HEADLIGHT & LANTERN CO., INC.. ANY REPRODUCTION IN PART OR AS A WHOLE WITHOUT THE WRITTEN PERMISSION OF STAR HEADLIGHT & LANTERN CO., INC. IS STRICTLY PROHIBITED.		MODEL: 203MVL-* FORMAL REV:001
MATERIAL: N/A	FINISH: N/A		TITLE: ASSEMBLY
DWG. NO. 203MVL REV 001		SCALE: 1:2	REV A
DO NOT SCALE FROM DRAWING		SHEET 1 OF 1	