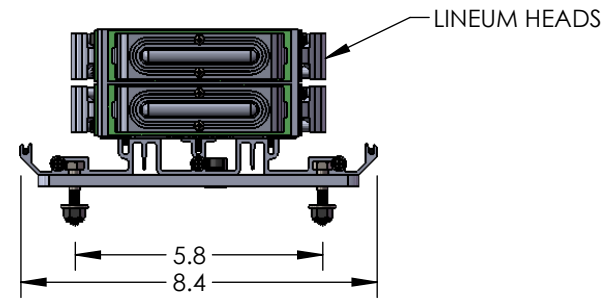
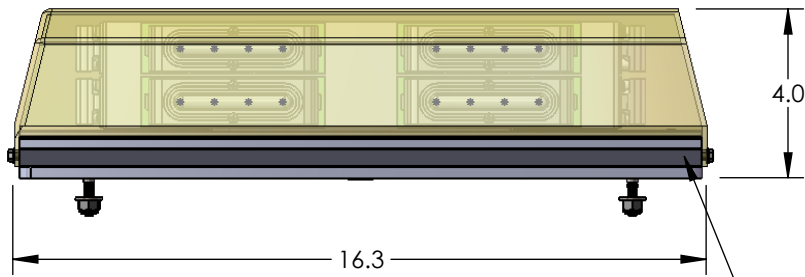
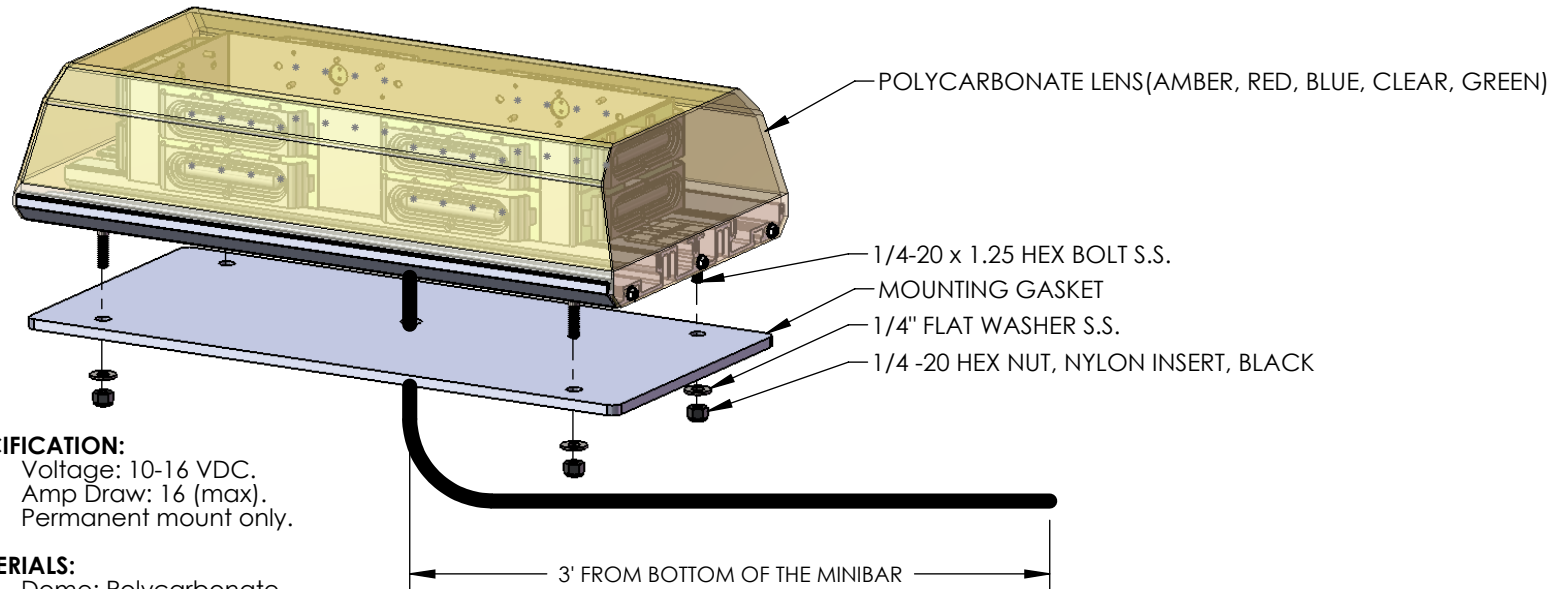


REV.	ECR	DESCRIPTION	DATE
-	11878	INITIAL DRAWING REQUEST	04/04/2014



ALUMINUM EXTRUSION



SPECIFICATION:

Voltage: 10-16 VDC.
 Amp Draw: 16 (max).
 Permanent mount only.

MATERIALS:

Dome: Polycarbonate.
 Extrusion: Aluminum.
 Mounting Gasket: 0.250" thick, monarch 5022.
 Mounting Hardware: Stainless Steel.

CONNECTIONS:

S271-DHP-3FT CABLE
 Red 16AWG - Power
 Black 16AWG - Ground
 White/Brown 22AWG - Secondary Enable
 Orange/Red 22AWG - Primary Enable
 Green/Red 22AWG - Pattern Select
 Green/Yellow 22AWG - Hi/Low

APPROVALS:

SAE J845 CLASS 1, COLORS (AMBER SINGLE COLOR).
 TITLE 13, COLORS (AMBER SINGLE COLOR).

UNLESS OTHERWISE SPECIFIED

DIMENSIONS ARE IN INCHES

TOLERANCES:

ANGULAR: ± 2 DEG.
 .X ± .100
 .XX ± .020
 .XXX ± .005
 .XXXX ± .001

RoHS COMPLIANT: Yes

MATERIAL: N/A

FINISH: N/A

DRAWN BY: EP

DRAWING APPROVED BY ECR

THE INFORMATION CONTAINED IN THIS DRAWING IS THE SOLE PROPERTY OF STAR HEADLIGHT & LANTERN CO., INC.. ANY REPRODUCTION IN PART OR AS A WHOLE WITHOUT THE WRITTEN PERMISSION OF STAR HEADLIGHT & LANTERN CO., INC. IS STRICTLY PROHIBITED.

STAR HEADLIGHT & LANTERN CO., INC.

455 Rochester St. Avon NY 14414
 Ph:(585) 226-9500 Fax: (585) 226-2029

MODEL: 9018LED, 9018TBLED

TITLE: 9018LED AND 9018DLED MODEL DRAWING

DWG. NO. 9018LED REV -

SCALE: 1:8 DO NOT SCALE FROM DRAWING SHEET 1 OF 1