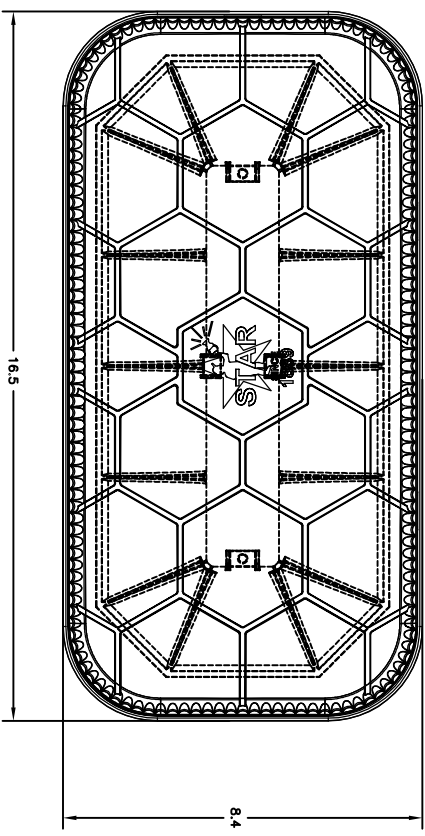
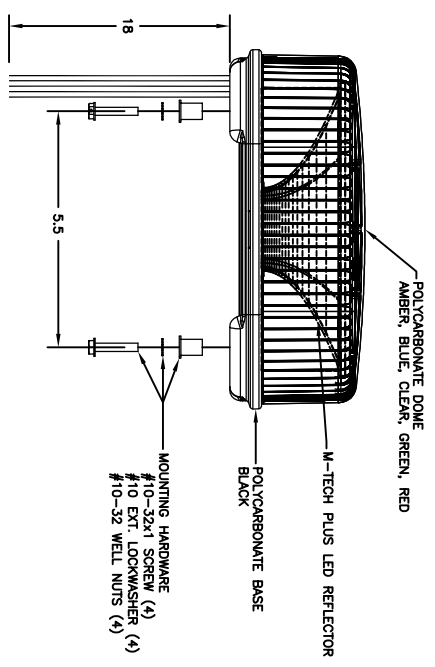
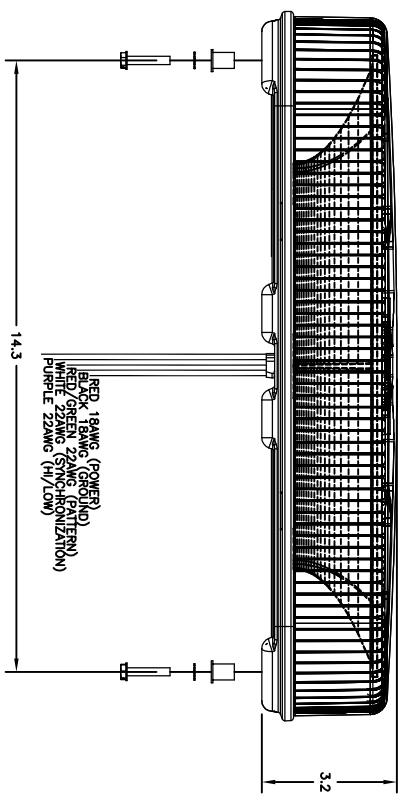


REV.	ECR	DESCRIPTION	DATE
-	11527	INITIAL DRAWING REQUEST	11/07/2013
A	12253	ADDED NEW TABLE TO INCLUDE NEWER MODELS	10/15/2014



MODEL #	PERM MOUNT	CLEAR DOME	COLORLED DOME	APPROVAL	INPUT VOLTAGE RANGE	CURRENT DRAW (A)
9100LED-A	X			SAE J845 CLASS 1	10.30VDC	2.3A
9100LED-AA-C	X	X		SAE J845 CLASS 1	10.30VDC	2.3A
9100LED-AB	X	X		SAE J845 CLASS 1	10.30VDC	2.3A
9100LED-AW	X	X		SAE J845 CLASS 1	10.30VDC	2.3A
9100LED-B	X		X	SAE J845 CLASS 1	10.30VDC	2.3A
9100LED-CARA	X		X	N/A	10.30VDC	1.5A
9100LED-G	X		X	N/A	10.30VDC	2.3A
9100LED-R	X		X	SAE J845 CLASS 2	10.30VDC	2.3A
9100LED-RB	X		X	SAE J845 CLASS 2	10.30VDC	1.5A
9100LED-RC	X		X	SAE J845 CLASS 2	10.30VDC	1.5A
9100LED-T13-A	X		X	SAE J845 CLASS 1, CA13	10.30VDC	2.3A
9100LED-W	X		X	SAE J845 CLASS 1	10.30VDC	2.3A
E9100LED-ECE-A	X		X	SAE J845 CLASS 1, CA13, REG 65 TA1	9-32VDC	2.3A
E9100LED-ECE-R	X		X	SAE J845 CLASS 1, CA13, REG 65 TR1	9-32VDC	2.3A



- NOTES:**
- 1) INSTRUCTION SHEET P/N PLT470
 - 2) OPERATING TEMPERATURE RANGE: -30°C TO 50°C
 - 3) 20 FLASH PATTERNS

UNLESS OTHERWISE SPECIFIED:		DRAWN BY: TA	
DIMENSIONS ARE IN INCHES		DRAWING APPROVED BY ECR	
Drill tolerances ± 0.003		THE INFORMATION CONTAINED IN THIS DRAWING IS THE SOLE PROPERTY OF STAR HEADLIGHT & LANTERN CO., INC. ANY REPRODUCTION IN PART OR AS A WHOLE WITHOUT THE WRITTEN PERMISSION OF STAR HEADLIGHT & LANTERN CO., INC. IS STRICTLY PROHIBITED.	
Artwork and board size TOLERANCES:		MODEL: 9100LED-**-**	
ANGULAR: ± 2 DEG.		TITLE: MODEL DRAWING	
X ± .100		DWG. NO. 9100LED A	
XX ± .020		REV A	
XXX ± .005		SCALE: 1:1 DO NOT SCALE FROM DRAWING SHEET 1 OF 1	
XXXX ± .001			
ROHS COMPLIANT: NO			
MATERIAL: N/A			
FINISH: N/A			
STAR HEADLIGHT & LANTERN CO., INC.			
455 ROCHESTER ST. AVON NY 14414			
Ph: (585)226-9500 Fax: (585) 226-2029			