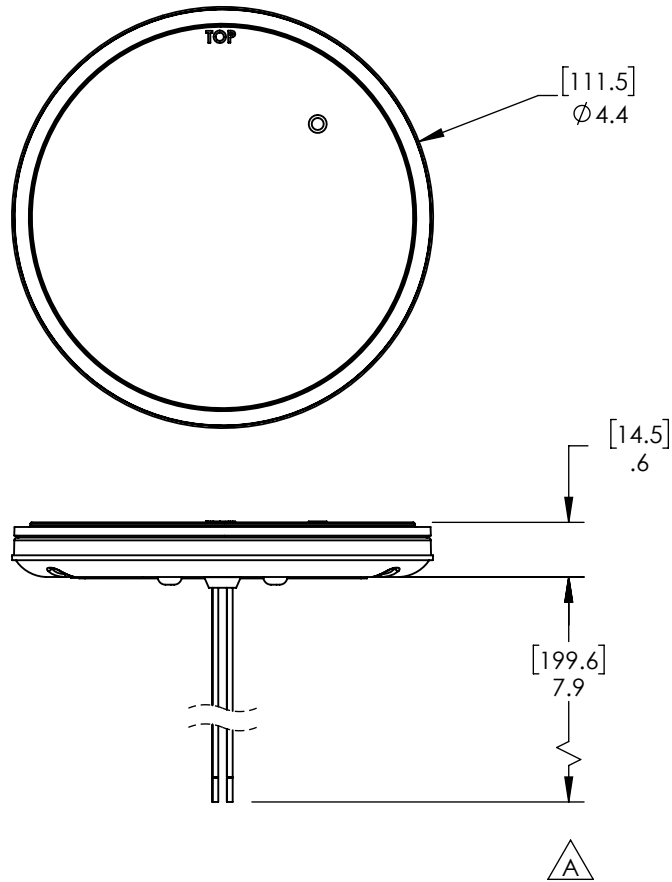


REV.	ECR	DESCRIPTION	DATE
-	18518	INITIAL DRAWING REQUEST	09/23/2020
A	17750	ADD CERT MARKINGS	1/12/2021



SPECIFICATIONS:

OPERATING RANGE: 10-16VDC / 19-30VDC
 NOMINAL VOLTAGE: 12/24 VDC
 TYPICAL CURRENT DRAW: 12.8VDC=0.3A AVERAGE 0.6A PEAK
 OPERATING TEMPERATURE RANGE: -40F (-40C) TO 131F (55C)

CONNECTIONS:

22 GAGE BLACK WIRE 8.0"(203mm) LONG - GROUND
 22 GAGE GREEN WIRE 8.0"(203mm) LONG - PATTERN SELECT
 22 GAGE WHITE WIRE 8.0"(203mm) LONG SYNCHRONIZATION
 22 GAGE RED WIRE 8.0"(203mm) + POWER

INSTALLATION:

*BEZEL MOUNT BLACK -1
 *GROMMET MOUNT -4

MATERIALS:

MODULE LENS: POLYCARBONATE
 MODULE HOUSING: POLYCARBONATE

CERTIFICATIONS:

SAE J595 CLASS I
 SEE CHART

PRODUCT LABEL:

WHITE POLYESTER STOCK 3" X .375"
 BLACK PRINT STAR LOGO

INDIVIDUAL PACKAGING: APPROXIMATELY [.34Kg](0.75 lb.)

COLOR HEADER CARD
 POLY BAG

INSTRUCTION SHEET:

1 PROVIDED ENGLISH

MODEL	DESCRIPTION	CERT MARKING
DLXTHR-1-A	4" ROUND; AMBER; 9-32VDC; BLACK BEZEL; FLUSH MOUNT; FOUR WIRE; S-LINK+; 36 LED'S.	SAE W-1 14
DLXTHR-1-GC	4" ROUND; GREEN; 9-32VDC; BLACK BEZEL; FLUSH MOUNT; FOUR WIRE; S-LINK+; 36 LED'S.	N/A
DLXTHR-1-R	4" ROUND; RED; 9-32VDC; BLACK BEZEL; FLUSH MOUNT; FOUR WIRE; S-LINK+; 36 LED'S.	SAE W-1 14
DLXTHR-1-W	4" ROUND; WHITE; 9-32VDC; BLACK BEZEL; FLUSH MOUNT; FOUR WIRE; S-LINK+; 36 LED'S.	SAE W-1 14
DLXTHR-4-A	4" ROUND; AMBER; 9-32VDC; GROMMET MOUNT; FOUR WIRE; S-LINK+; 36 LED'S.	SAE W-1 14
DLXTHR-4-BC	4" ROUND; BLUE; 9-32VDC; GROMMET MOUNT; FOUR WIRE; S-LINK+; 36 LED'S.	SAE W-1 14
DLXTHR-4-GC	4" ROUND; GREEN; 9-32VDC; GROMMET MOUNT; FOUR WIRE; S-LINK+; 36 LED'S.	N/A
DLXTHR-4-R	4" ROUND; RED; 9-32VDC; GROMMET MOUNT; FOUR WIRE; S-LINK+; 36 LED'S.	SAE W-1 14
DLXTHR-4-W	4" ROUND; WHITE; 9-32VDC; GROMMET MOUNT; FOUR WIRE; S-LINK+; 36 LED'S.	SAE W-1 14
DLXTHR-4-YC	4" ROUND; AMBER; 9-32VDC; GROMMET MOUNT; FOUR WIRE; S-LINK+; 36 LED'S.	SAE W-1 14

UNLESS OTHERWISE SPECIFIED DIMENSIONS ARE IN INCHES TOLERANCES: ANGULAR: ± 2 DEG. .X ± .100 .XX ± .020 .XXX ± .005 .XXXX ± .001	DRAWN BY: MD	STAR HEADLIGHT & LANTERN CO., INC. 455 Rochester St. Avon NY 14414 Ph:(585) 226-9500 Fax: (585) 226-2029 MODEL: DLXTHR-*-* TITLE:
	DRAWING APPROVED BY ECR	
RoHS COMPLIANT: Yes	THE INFORMATION CONTAINED IN THIS DRAWING IS THE SOLE PROPERTY OF STAR HEADLIGHT & LANTERN CO., INC.. ANY REPRODUCTION IN PART OR AS A WHOLE WITHOUT THE WRITTEN PERMISSION OF STAR HEADLIGHT & LANTERN CO., INC. IS STRICTLY PROHIBITED.	
MATERIAL: N/A	DWG. NO. DLXTHR REV 001	REV A
FINISH: N/A	SCALE: 1:2	DO NOT SCALE FROM DRAWING SHEET 1 OF 1