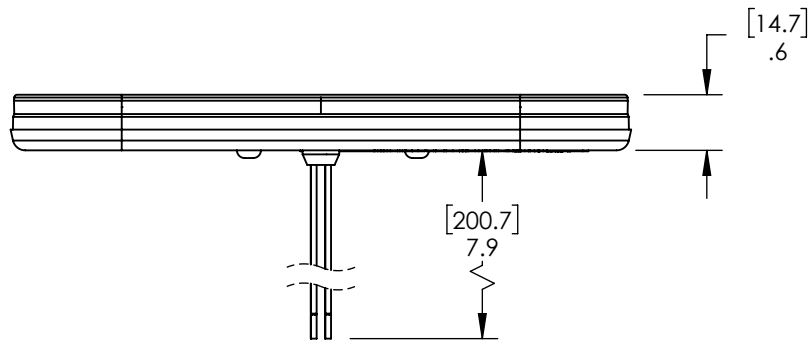
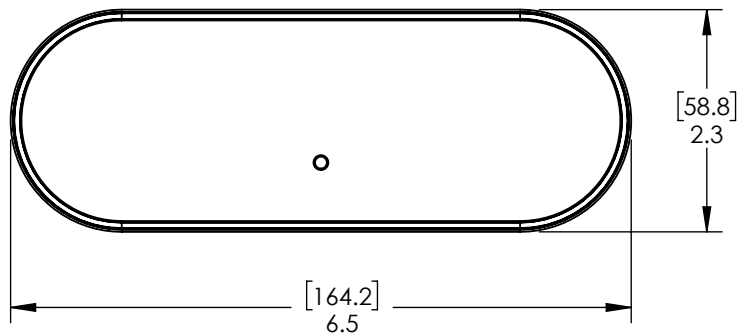


REV.	ECR	DESCRIPTION	DATE
-	17543	INITIAL DRAWING REQUEST	10/08/2020
A	17750	ADDED SAE CERTS	1/12/2021



* MOUNTING METHOD



MODEL	DESCRIPTION	CERT MARKING
DLXTHU-*-A	AMBER, FOUR WIRE; S-LINK+; 36 LED'S; AMBER LENS	SAE W-1 14
DLXTHU-*-BC	BLUE; FOUR WIRE; S-LINK+; 36 LED'S; CLEAR LENS	SAE W-1 14
DLXTHU-*-GC	GREEN; SIX WIRE; S-LINK+; 36 LED'S; CLEAR LENS	N/A
DLXTHU-*-R	RED; SIX WIRE; S-LINK+; 36 LED'S; RED LENS	SAE W-2 14
DLXTHU-*-RC	RED; SIX WIRE; S-LINK+; 36 LED'S; CLEAR LENS	SAE W-1 14
DLXTHU-*-W	WHITE; SIX WIRE; S-LINK+; 36 LED'S; CLEAR LENS	SAE W-1 14
DLXTHU-*-YC	AMBER; FOUR WIRE; S-LINK+; 36 LED'S; CLEAR LENS	SAE W-1 14
DLXTHUS-*-AB	AMBER,BLUE; FOUR WIRE; S-LINK+; 36 LED'S; CLEAR LENS	SAE W-1 14
DLXTHUS-*-AG	AMBER,GREEN; FOUR WIRE; S-LINK+; 36 LED'S; CLEAR LENS	SAE W-1 14, N/A
DLXTHUS-*-AW	AMBER,WHITE; FOUR WIRE; S-LINK+; 36 LED'S; CLEAR LENS	SAE W-1 14

SPECIFICATIONS:

OPERATING RANGE: 10-16 / 19-30VDC

NOMINAL VOLTAGE: 12/24 VDC

TYPICAL CURRENT DRAW: 12.8VDC=0.3A AVERAGE 0.5A PEAK

OPERATING TEMPERATURE RANGE: -40F (-40C) TO 131F (55C)

CONNECTIONS:

22 GAGE BLACK WIRE 8.0"(203mm) LONG - GROUND

22 GAGE GREEN WIRE 8.0"(203mm) LONG - PATTERN SELECT

22 GAGE WHITE WIRE 8.0"(203mm) LONG SYNCHRONIZATION

22 GAGE RED WIRE 8.0"(203mm) + POWER

INSTALLATION:

*BEZEL MOUNT -1

*GROMMET MOUNT -4

* WINDOW MOUNT -7

MATERIALS:

MODULE LENS: POLYCARBONATE

MODULE HOUSING: POLYCARBONATE

CERTIFICATIONS:

SAE J595

SEE CHART

PRODUCT LABEL:

WHITE POLYESTER STOCK 3" X .375"

BLACK PRINT STAR LOGO

INDIVIDUAL PACKAGING: APPROXIMATELY [.34Kg] (0.75 lb.)

COLOR HEADER CARD

POLY BAG

INSTRUCTION SHEET:

1 PROVIDED ENGLISH

UNLESS OTHERWISE SPECIFIED	DRAWN BY:	MD	STAR HEADLIGHT & LANTERN CO., INC.		
DIMENSIONS ARE IN INCHES	DRAWING APPROVED BY ECR		455 Rochester St. Avon NY 14414 Ph:(585) 226-9500 Fax: (585) 226-2029		
TOLERANCES: ANGULAR: ± 2 DEG.	THE INFORMATION CONTAINED IN THIS DRAWING IS THE SOLE PROPERTY OF STAR HEADLIGHT & LANTERN CO., INC.. ANY REPRODUCTION IN PART OR AS A WHOLE WITHOUT THE WRITTEN PERMISSION OF STAR HEADLIGHT & LANTERN CO., INC. IS STRICTLY PROHIBITED.		MODEL:	DLXTHU, DLXTHUS	
.X ± .100 .XX ± .020 .XXX ± .005 .XXXX ± .001			TITLE:	MODEL DRAWING	
RoHS COMPLIANT: YES			DWG. NO.	DLXTHU REV 001	REV A
MATERIAL: N/A FINISH: N/A			SCALE: 1:2	DO NOT SCALE FROM DRAWING	SHEET 1 OF 1