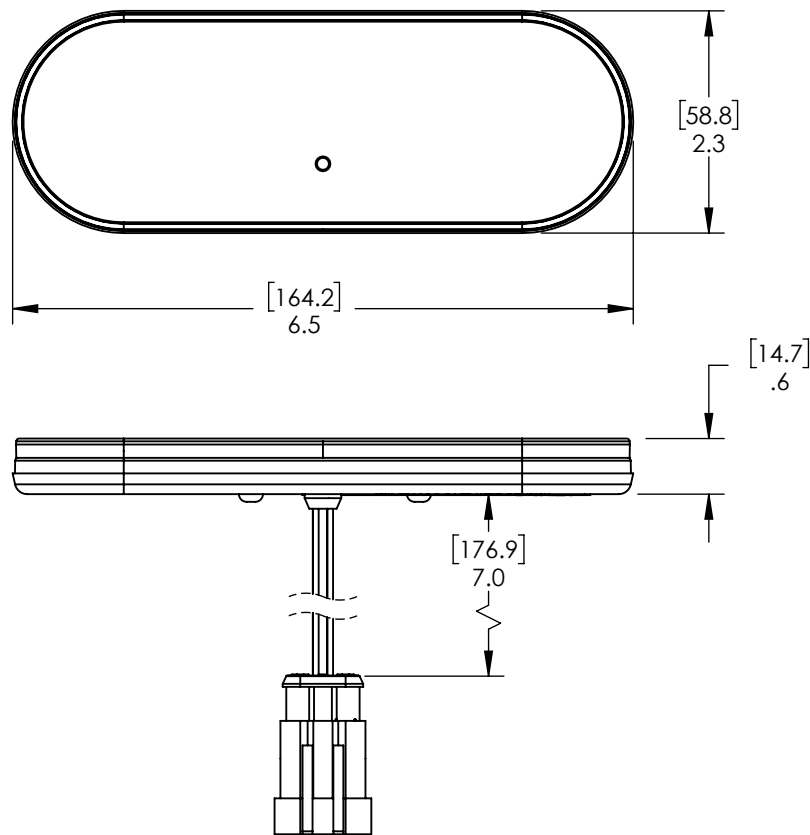


REV.	ECR	DESCRIPTION	DATE
-	17543	INITIAL DRAWING REQUEST	10/13/2020
A	17750	ADDED SAE CERTS	1/12/2021



SPECIFICATIONS:

OPERATING RANGE: 10-16 / 19-30VDC

NOMINAL VOLTAGE: 12/24 VDC

TYPICAL CURRENT DRAW: 12.8VDC=0.3A AVERAGE 0.5A PEAK

OPERATING TEMPERATURE RANGE: -40F (-40C) TO 131F (55C)

CONNECTIONS:

WEATHER PROOF CONNECTOR TYCO P/N 282105-1

POS 1 22 GAGE BLACK WIRE 7.0"(203mm) LONG - GROUND

POS 2 22 GAGE WHITE WIRE 7.0"(203mm) LONG SYNCHRONIZATION

POS 3 22 GAGE RED WIRE 7.0"(203mm) + POWER

22 GAGE GREEN WIRE 8.0"(203mm) LONG - PATTERN SELECT

INSTALLATION:

*GROMMET MOUNT WITH CONNECTOR -8

MATERIALS:

MODULE LENS: POLYCARBONATE

MODULE HOUSING: POLYCARBONATE

CERTIFICATIONS:

SAE J595 CLASS 1

SEE CHART

PRODUCT LABEL:

WHITE POLYESTER STOCK 3" X .375"

BLACK PRINT STAR LOGO

INDIVIDUAL PACKAGING: APPROXIMATELY [.34Kg] (0.75 lb.)

COLOR HEADER CARD

POLY BAG

INSTRUCTION SHEET:

1 PROVIDED ENGLISH



MODEL	DESCRIPTION	CERT MARKING
DLXTHU-8-A	AMBER; FOUR WIRE; 3 PIN CONNECTOR; GROMMET MOUNT; S-LINK+; 36 LED'S; AMBER LENS	SAE W-1 14
DLXTHU-8-BC	BLUE; FOUR WIRE; 3 PIN CONNECTOR; GROMMET MOUNT; S-LINK+; 36 LED'S; CLEAR LENS	SAE W-1 14
DLXTHU-8-GC	GREEN; SIX WIRE; 3 PIN CONNECTOR; GROMMET MOUNT; S-LINK+; 36 LED'S; CLEAR LENS	N/A
DLXTHU-8-W	WHITE; SIX WIRE; 3 PIN CONNECTOR; GROMMET MOUNT; S-LINK+; 36 LED'S; CLEAR LENS	SAE W-1 14

UNLESS OTHERWISE SPECIFIED

DIMENSIONS ARE IN INCHES

TOLERANCES:

ANGULAR: ± 2 DEG.

.X ± .100

.XX ± .020

.XXX ± .005

.XXXX ± .001

RoHS COMPLIANT: YES

MATERIAL:

N/A

FINISH:

N/A

DRAWN BY: MD

DRAWING APPROVED BY ECR

THE INFORMATION CONTAINED IN THIS DRAWING IS THE SOLE PROPERTY OF STAR HEADLIGHT & LANTERN CO., INC.. ANY REPRODUCTION IN PART OR AS A WHOLE WITHOUT THE WRITTEN PERMISSION OF STAR HEADLIGHT & LANTERN CO., INC. IS STRICTLY PROHIBITED.

STAR HEADLIGHT & LANTERN CO., INC.

455 Rochester St. Avon NY 14414

Ph:(585) 226-9500 Fax: (585) 226-2029

MODEL: DLXTHU-8

TITLE: MODEL DRAWING

DWG. NO.

DLXTHU-8 REV 001

REV

A

SCALE: 1:2

DO NOT SCALE FROM DRAWING

SHEET 1 OF 1