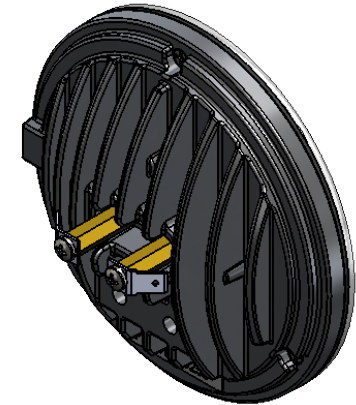
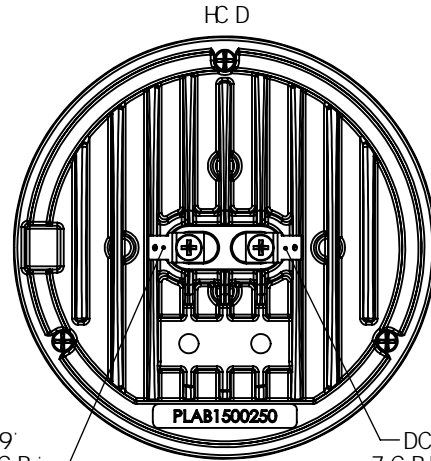
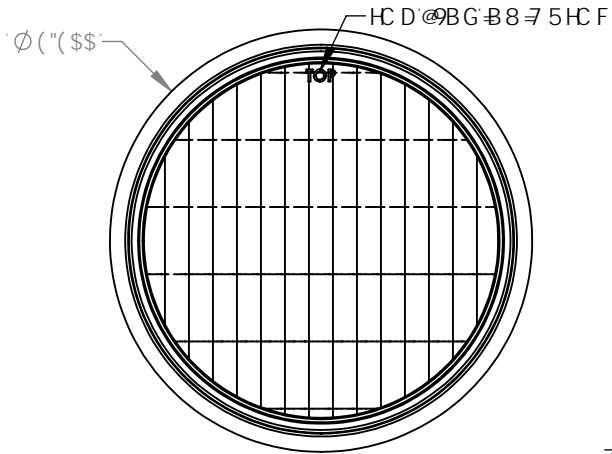


F9J"	97 F	89G7 F-DHC B	85H9
!	%\$*(-	B #H5 @8F5K B; F9E I 9GH	%\$#% #/8&
5	%+(58898 %%5 5J 9F5; 971 FF9BHF5HB;	, #- #&\$%*

MODEL NUMBERS

LDH		36			
LED Head	Pattern Type	PAR36	Mount Type	Light Spread	Color
	- = Steady		1 = Sealed Beam	S = Spot	C = White
				T = Trapezoidal	



B9; 5HJ 9' 7 CBB97 HC B' f6 7 ?L
 DC G#H 9' 7 CBB97 HC B' ff 98 L

GD97 ÷ 7 5HC BG
 Hnd]WU" bdi hJ c' hU[Y' FUb[Y. %\$! ' \$J 87 ' 4' %%%5 'A 5LZ%%5 5J 9F5; 9 5
 C dYfuhb['HYa dYfuh fy' FUb[Y. !(\$'7 'rc') °
 @[\hCi hdi h %Z \$ \$ @ a Ybg4 &) °7 fGUfhi dzK \ \HY') \$\$\$? 7 c' c' fHYa dYfuh fyL
 @[\hCi hdi h %Z \$ \$ @ a Ybg4 &) °7 f5ZYfHYa dYfuh fy' GUUV] jnUhc bL
 7 cbbYWhjcbg '\$&) \$""() °HYfa]oU'g
 DYfa UbYbhA ci bhjb[. , *! ' &L' %&) ""GUbXcZg

A 5H9F 5 @G
 A cXi 'Y @Ybg' Dc' mWUfVcbUH
 @Ybg; Ug_Yh' 9D8A 'Fi VVYf
 <YUhg]b_ '7 Ugh5' i a]bi a
 A ci bhjb[' <UfXk Ufy. 'GU]bYggGHYY'

I B @GGCH 9FK -G9GD97 ÷ 98	8F5K B'6M	A 6	G5F' < 958 @ < H/ ' @BH9FB '7C 'Z-B7 "
8-A 9BG @BG5F9 B' B7 < 9G	8F5K B; ' 5DDFCJ 98' 6M97 F'		() FcVAYgYfGh" 5j cb BM% (((% D\ . n)) E & * ! -) \$ \$: : UI . n)) E & * ! & \$ & -
..... HC @F5B7 9G -	H: 9 B: C FA 5HC B' 7 C B H5 B 98 ' B H- G		A C 89 @ @ < ! ' * % ! ! 7
..... 5B; I @F. ' ± 8 89 ' "	8F5K B: ' G H- 9 GC @DFC D9F HMC:		H#9.
..... L ± %\$ \$	G5F' < 958 @ < H/ ' @BH9FB '7C 'Z-B7 "		@8 ' D5F ' ' * ' G95 @98 ' 695 A
..... LL ± '\$ \$ \$	5BMF9DFC 81 7 HC B - B D5FHCF 5G5		8K; "BC"
..... LLL ± '\$ \$ \$	K < C @K #C I Hk- 9K F #9B D9FA -GGC B		D5F' *!%
..... LLLL ± '\$ \$ \$	C: G5F' < 958 @ < H/ ' @BH9FB '7C 'Z-B7 "		F9J 5
Fc < G7 CA D @5BH - Bc	G5F' 7 HAMDFC < 6498 "		G7 5 @. % &
A 5H9F 5 @G			8C B CHG7 5 @: FCA 8F5K B: G < 99H% C: %
B #5			
: B G-			
B #5			

7 @GG ÷ 7 5HC BG		
7C @FG	89G7 F-DHC B	> ()
7	7CC @K < +9	7 @GG%