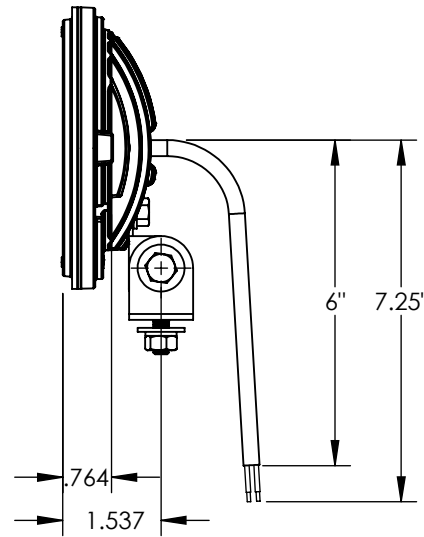
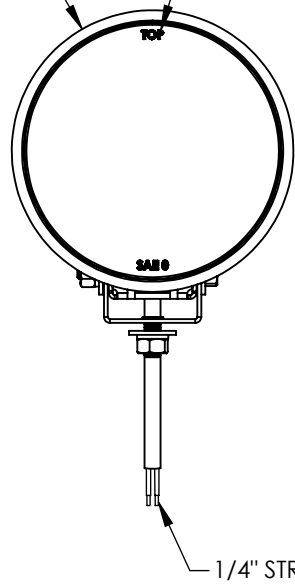


Ø 4.400 TOP LENS INDICATOR



1/4" STRIP LENGTH

SPECIFICATIONS:

Typical Input Voltage Range: 10-30VDC @ 1.1 A MAX, 1.1A AVERAGE
 Operating Temperature Range: -40°C to 55°C
 Light Output: 1,600 Lumens @ 25°C (Startup, White 5000K color temperature)
 Light Output: 1,477 Lumens @ 25°C (After Temperature Stabilization)
 Connections: 8" (min) Wires Exiting Unit
 Permanent Mounting: Swivel Bracket

MATERIALS:

Module Lens: Polycarbonate
 Lens Gasket: EPDM Rubber
 Heatsink: Cast Aluminum
 Mounting Brackets: Zinc Plated Steel
 Mounting Hardware: Stainless Steel/Zinc Plated

CONNECTIONS:

22 Gage Red Wire: Power
 22 Gage Black Wire: Ground

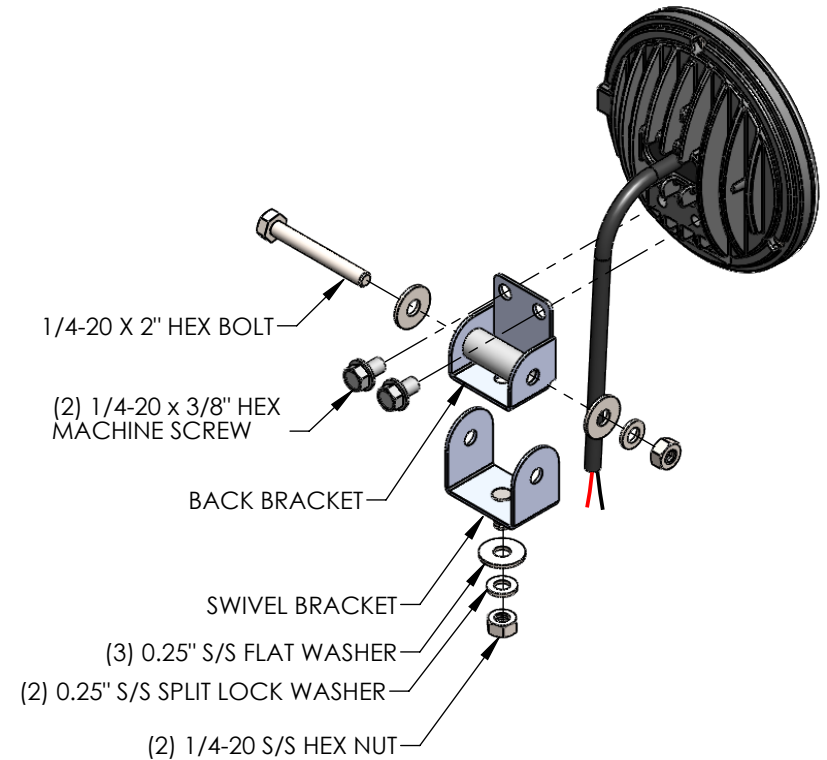
CLASSIFICATIONS

COLORS	DESCRIPTION	J845
C	COOL WHITE	CLASS 1

REV.	ECR	DESCRIPTION	DATE
-	10649	INITIAL DRAWING REQUEST	10/15/12
A	13744	ADDED 1.1A AVERAGE CURRENT RATING	8/22/2016
B	18112	UPDATED LIGHT OUTPUT SPECIFICATIONS	8/5/2021

MODEL NUMBERS

LDH		36		-		-	
LED Head	Pattern Type	PAR36	Mount Type	-	Light Spread	-	Color
	- = Steady		2 = Swivel Bracket		S = Spot		C = White
					T = Trapezoidal		



UNLESS OTHERWISE SPECIFIED

DIMENSIONS ARE IN INCHES

TOLERANCES:

ANGULAR: ± 2 DEG.

.X ± .100
 .XX ± .020
 .XXX ± .005
 .XXXX ± .001

RoHS COMPLIANT: No

MATERIAL:

N/A

FINISH:

N/A

DRAWN BY: MB

DRAWING APPROVED BY ECR

THE INFORMATION CONTAINED IN THIS DRAWING IS THE SOLE PROPERTY OF STAR HEADLIGHT & LANTERN CO., INC.. ANY REPRODUCTION IN PART OR AS A WHOLE WITHOUT THE WRITTEN PERMISSION OF STAR HEADLIGHT & LANTERN CO., INC. IS STRICTLY PROHIBITED.

STAR HEADLIGHT & LANTERN CO., INC.

455 Rochester St. Avon NY 14414
 Ph:(585) 226-9500 Fax: (585) 226-2029

MODEL: LDH-362-*-C

TITLE:
LED PAR 36 W/SWIVEL BRACKET

DWG. NO.

PAR36-2

REV

B

SCALE: 1:2

DO NOT SCALE FROM DRAWING

SHEET 1 OF 1