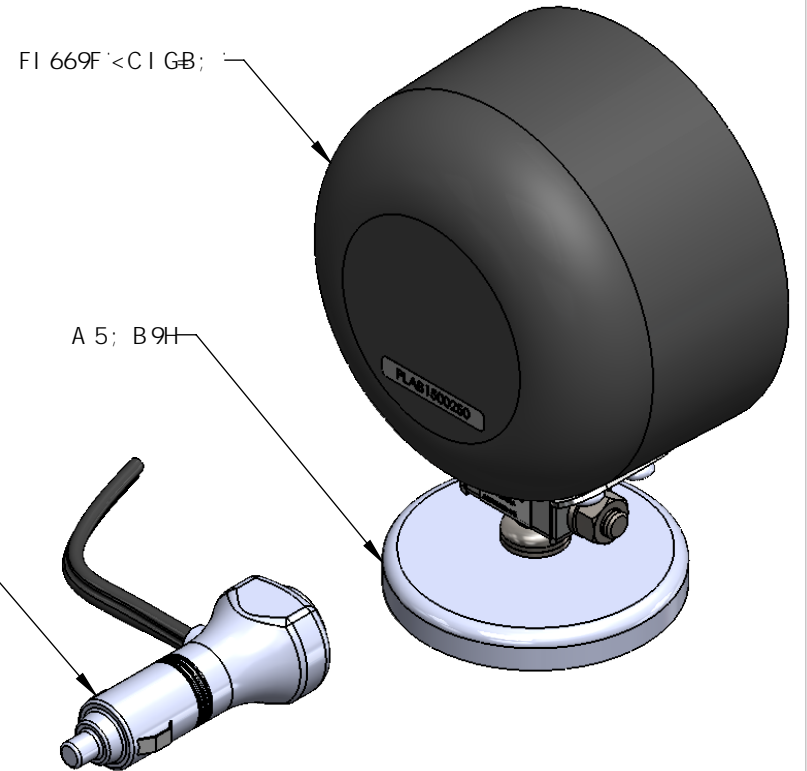


F9J*	97 F	89G7 F-DHC B	85H9
!	%* (-	B #H @8F5K B; F9E I 9GH	%#% #%&
5	% +((58898 %%%5 5J 9F5; 971 FF9BHF5HB;	, #- #&\$%*

MODEL NUMBERS

LDH		36			
LED Head	Pattern Type	PAR36	Mount Type	Light Spread	Color
	- = Steady		3M = Mag. Tractor Housing	T = Trapezoidal	C = White



GD97 ÷ 7 5HC BG
 Hrd [WU] bdi hJ c'ru [Y'Fub [Y. %\$! ' \$J 87 '4 '%%5 'A 5Lz%%5 '5J 9F5; 9 \triangle 5
 C dYfUhb ['HYa dYfUH fy'Fub [Y. !(\$'7 'tc)) '7
 @[\hCi hdi h %Z \$ \$ @ a Ybg4 ' &) '7 fGUfh dZK \]nY) \$\$\$? '7 c'cfHYa dYfUH fyE
 @[\hCi hdi h %Z \$ \$ @ a Ybg4 ' &) '7 f5ZHYfHYa dYfUH fy 'GUV]]nUjcbL
 7cbbYWHcbg '7 [UfyHY 'Di ['k #&f7 cfx
 DYfa UbYbhA ci bhjb [. A U [bYhIFUWrcf < ci gjb [

A 5HF 5 @G
 A cXi Y @Ybg 'Dc nWUfVcbUHY
 @Ybg; Ug_Yh '9D8A 'Fi VVYf
 <YUhgjb_ '7 Ugh5 'i a]bi a
 @[\h < ci gjb [. Fi VVYf
 A ci bhjb ['6fUW_Yh 'NjbWD'UHYX 'GHYY'
 A ci bhjb ['<UfXk Ufy; 'GU] b'Ygg GHYY'
 A U [bYh '7YfUa]Wk #7 \fca YX GHYY 'W d

I B @GGCH 9FK -@9GD97 ÷ 98	8F5K B'6M	A 6	G5F < 958 @ < H/ @BHFB 7C 'Z-B7 "
8-A 9BGC BG5F9 B' B7 < 9G	8F5K B; '5DDFCJ 98 '6M97 F'		() FcVXYgYfGH "5j cb BM% (((% D \. \)) E & * ! -) \$ \$: UI. \)) E & * ! & \$ & -
..... HC @F5B7 9G -	H: 9 B: C FA 5HC B 7 C BH5 B98 B H-G		AC89 @ @ < ! * ' A IH7
..... 5B; I @F. ' ± 8 89. "	8F5K B: 'GH-9GC @DFC D9FHC:		H#9. @98 'D5F ' * 'K #F57 HCF < C I GB; 5B8 'A 5; B9HA C I BH
..... L ± %\$ \$	G5F < 958 @ < H/ @BHFB 7C 'Z-B7 "		
..... LLL ± \$ \$ \$	5BMF9DFC 8I 7 HC B -B D5FHCF 5G5		
..... LLLL ± \$ \$ \$	K < C @K #C I Hk 9K F #9B D9FA -GGC B		
	C: G5F < 958 @ < H/ @BHFB 7C 'Z-B7 "		
Fc < G7 CA D @5BH - Bc	G5F 7 HMDFC < 6498 "		
A 5HF 5 @			
B #5			
: B G<			
B #5			
			8K; "BC"
			D5F ' * ! ' A
			F9J 5
	G7 5 @. % &	8C BCHG7 5 @. FCA 8F5K B:	G< 99H %C : %

7 @GG ÷ 7 5HC BG		
7C @FG	89G7 F-DHC B	> ()
7	7CC @K < #9	7 @GG %