

# ULB34

## Rear Window Phantom



**WARNING!**

These lightbars contain one or more of the following light sources: Strobe Lights, Halogen Lamps, and/or High Intensity LED Lamps. **DO NOT** stare directly into any of these light sources as temporary blindness and/or permanent eye damage may occur.



PROUDLY MADE IN THE USA  
An ISO 9001:2008 Certified Company



**Star Headlight & Lantern Co., Inc.**

455 Rochester Street Avon, NY 14414 Phone: 585-226-9787 FAX: 888-478-2797

**STAR**  
WARNING  
SYSTEMS

**STAR SIGNAL**  
VEHICLE PRODUCTS

**BRADFORD**  
Vehicle Solutions

[www.starheadlight.com](http://www.starheadlight.com)

PLIT533 REV. - 9/15/15

## **Mounting Instructions**

1. The typical mounting area for this light is along the top moulding inside the rear hatch.

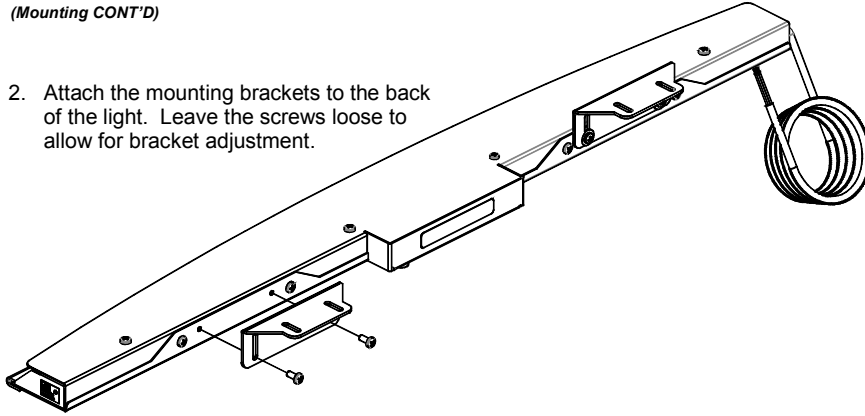


2. Alternately the light can be mounted to the trim above the window, on the rear hatch itself.



(Mounting CONT'D)

2. Attach the mounting brackets to the back of the light. Leave the screws loose to allow for bracket adjustment.



3. Hold the light up to the location where it is to be mounted. We recommend aligning the corner of the bend in the bracket with the rear edge of the moulding above the rear window.
4. Using the brackets as a template, mark your mounting holes.
5. Carefully drill appropriately sized pilot holes in the marked locations, based upon the size of your mounting hardware (user supplied).
6. Install the light making any necessary adjustments to the brackets prior to tightening all of your screws. Ensure that the unit is level to the ground so that the light shines unobstructed through the rear window. Check the angle of the light by standing 20 feet behind the vehicle. Adjust the light up, down, right, or left to obtain the brightest output directly to the rear of the vehicle.
7. Carefully tighten all the screws once the light has been adjusted satisfactorily.

**Please Note:** These instructions are provided as a general guideline only. *Some vehicles may require special mounting, wiring, and/or weather-sealing. This is the sole responsibility of the installer.* Star Headlight & Lantern Co., Inc. assumes no responsibility for the integrity of the installation for this or any of its products.



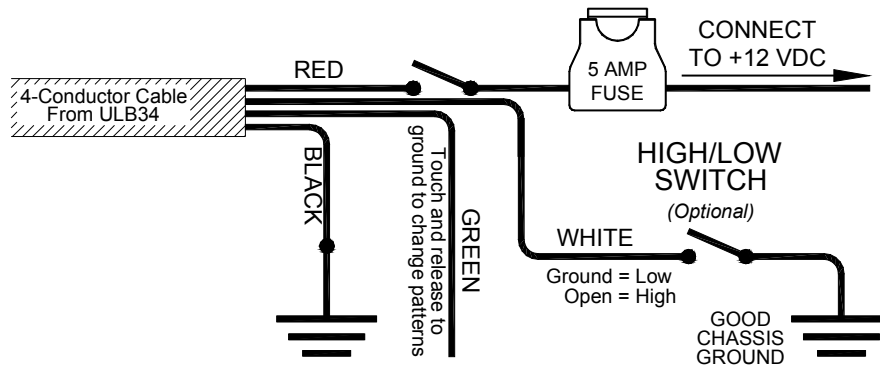
*It is the sole responsibility of the owner to ensure the lightbar is mounted securely. Check your light every time you enter the vehicle to ensure that it is mounted securely. The manufacturer assumes no responsibility for the secure mounting of this light.*

## Wiring Instructions

*All standard Phantom lights are designed for 12VDC negative ground vehicles only. Reverse polarity may cause serious damage to the lightbar and/or vehicle. Contact the automotive dealer if there are any doubts about the polarity of your vehicle.*

The ULB34 is powered through the 4-wire harness that comes pre installed on the light. Connect the four wires as follows:

- Black** - (Ground) Connect to a good chassis ground
- Red** - (Power/+12 VDC) Connect to your On/Off switch (*not supplied*) through a 5 amp fuse (*not supplied*).
- Green** - (Pattern Select) Touch to a ground to change patterns (*see Pattern Programming section on next page*)
- White** - (High/Low) Controls the intensity of the light
  - Low Only: Connect the white wire to a good chassis ground if you wish to run the light on low power.
  - High Only: Tape the end of the white wire off so that it does not come into contact with ground, if you wish to operate the light on high power.
  - Switched: Connect the white wire through a switch to ground if you would like to have the ability to switch between high and low power.



**PROUDLY MADE IN THE USA**  
An ISO 9001:2008 Certified Company

## **Pattern Programming**

**PLEASE NOTE:** *The green wire is only used for programming purposes during installation.*

1. Connect the black wire to Ground.
2. Activate the light by applying power (+12VDC) to the red wire.
3. Briefly touch and release the green wire to ground to scroll through the patterns listed below. The cycle will repeat itself after the last pattern.
4. Once you find the pattern you wish to select, leave the green wire disconnected and turn the unit off. This will program that pattern into the memory. Tape the end of the green wire so that it does not come into contact with ground accidentally.

**NOTE:** *If at any time you would like to reset the pattern to the factory default, simply touch the green wire to ground for six seconds until the light blinks twice.*

### **Pattern List**

1. Slow Warn
  2. Fast Warn
  3. Superfast Warn
  4. Warn Fade\*
  5. Pre-Pop Warn
  6. All Singleflash
  7. Alt. Tripleflash
  8. All Tripleflash
  9. Alt. Quadflash w/Post Pop
  10. All Quadflash w/Post Pop
  11. Alt. Quintflash
  12. All Quintflash
  13. Alt. Pre-Pop Quintflash
  14. All Flicker
  15. Alt. PSU Flicker
  16. One Side Pop, Other Rapid Fire
  17. One Side Rapid Fire, Other Pop
  18. Comet 1\*
  19. Comet 2\*
  20. Delta Omega (Flash Rate Sweep)
  21. Slow Warn, Alt. Tripleflash
  22. Slow Warn, Super Fast Warn
  23. All Doubleflash, Alt. Doubleflash
  24. All Doubleflash, Alt. Doubleflash, Flicker
  25. Alt. Doubleflash, Flicker
  26. All Double, Alt. Pre-Pop Tripleflash, Slow Warn
  27. Alt. Doubleflash Non-Synch
  28. Alt. Tripleflash, Alt. Pre-Pop-Triple, Flicker †
  29. Alt. Quadflash, Flicker, Alt. Doubleflash, Flicker
  30. Alt. Pre-Pop Quintflash, Alt. Quintflash, Flicker
  31. One Side Steady-----One Side Singleflash
  32. One Side Steady-----Other Side Short-Long
  33. Medium Warn (Alternating Long Singleflash)
  34. Alternating Short - Alternating Long
  35. Demo Mode – Loop All Patterns
- † *Default Pattern*  
\* *These patterns do not dim under low power*

These lights use state-of-the-art Light Emitting Diode (LED) technology. This light is comprised of ultra-bright LEDs that are operated in a multiplexed mode to efficiently produce light output with lifetimes up to 100,000 hours. Under normal circumstances, you will not need to replace any LEDs in this light. If any of the LED's in your light do fail, please contact Star Headlight for arrangements to have them repaired.

#### LED FIVE YEAR LIMITED WARRANTY

The manufacturer warrants this LED light against factory defects in material and workmanship for five years after the date of purchase. The owner will be responsible for returning to the Service Center any defective item(s) with the transportation costs prepaid. The manufacturer will, without charge, repair or replace *at its option*, products, or part(s), which its inspection determines to be defective. Repaired or replacement item(s) will be returned to the purchaser with transportation costs prepaid from the service point. A copy of the purchaser's receipt must be returned with the defective item(s) in order to qualify for the warranty coverage. Exclusions from this warranty include, but are not limited to, domes, and/or the finish. This warranty shall not apply to any light, which has been altered, such that in the manufacturer's judgment, the performance or reliability has been affected, or if any damage has resulted from abnormal use or service.

There are no warranties expressed or implied (including any warranty of merchantability or fitness), which extend this warranty period. **The loss of use of the product, loss of time, inconvenience, commercial loss or consequential damages, including costs of any labor, are not covered.** The manufacturer reserves the right to change the design of the product without assuming any obligation to modify any product previously manufactured.

This warranty gives you specific legal rights. You might also have additional rights that may vary from state to state. Some states do not allow limitations on how long an implied warranty lasts. Some states do not allow the exclusion or limitation of incidental or consequential damages. Therefore, the above limitation(s) or exclusion(s) may not apply to you.

If you have any questions concerning this or any other product, please contact our **Customer Service Department** at (585) 226-9787.

If a product must be returned for any reason, please contact our Repair Department at (585) 226-9787 or Repairs@star1889.com to obtain a Returned Materials Authorization number (RMA #) before you ship the product back. Please write the RMA # clearly on the package near the mailing label.



#### NOTICE

Due to continuous product improvements, we must reserve the right to change any specifications and information, contained in this manual at any time without notice. Star Headlight & Lantern Co., Inc. makes no warranty of any kind with regard to this manual, including, but not limited to, the implied warranties of merchantability and fitness for a particular purpose. Star Headlight & Lantern Co., Inc. shall not be liable for errors contained herein or for incidental or consequential damages in connection with the furnishing, performance, or use of this manual.



**PROUDLY MADE IN THE USA**  
*An ISO 9001:2008 Certified Company*

