

CYCLONE

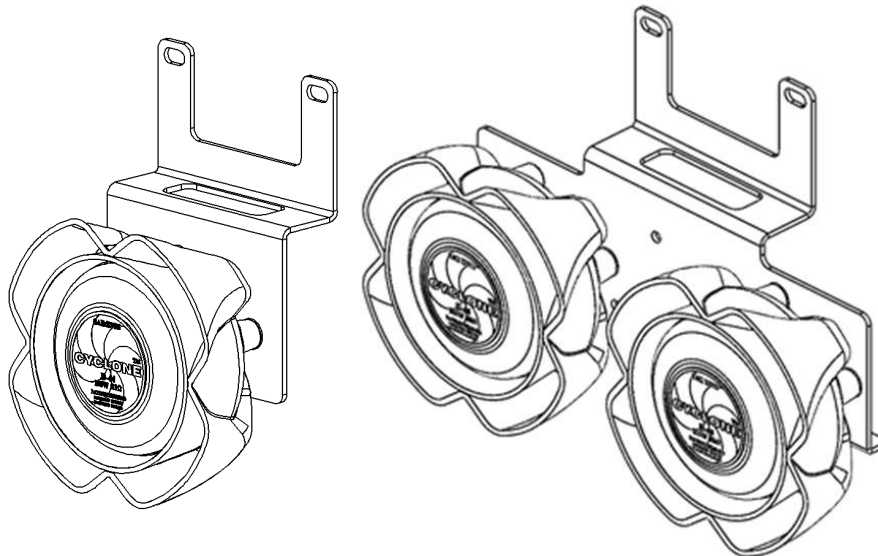
SPEAKER MOUNTING KIT

SPBRK-35 and SPBRK-36

(Single Speaker)

(Dual Speaker)

2015-2016 Chevrolet Tahoe/Suburban SUV



!!! WARNING !!!

Devices should be mounted only in locations listed in SAE standard J1849.
Assure clearances before drilling in vehicle.
Sound levels produced by speakers can cause permanent hearing loss.
Never operate this unit without adequate hearing protection for you and others
in the area. (OSHA 1910.95)



WARNING: ALWAYS WEAR HEARING PROTECTION PER OSHA 1910.95



Star Headlight & Lantern Co., Inc.

455 Rochester Street Avon, NY 14414 Phone: 585-226-9787 FAX: 888-478-2797

STAR
WARNING
SYSTEMS

STAR SIGNAL
VEHICLE PRODUCTS

BRADFORD
Vehicle Solutions

www.starheadlight.com

PLIT427-35 REV. B 3/17/16

Installation



WARNING: ALWAYS WEAR HEARING PROTECTION PER OSHA 1910.95

1. Mark and remove bolts:

- Mark hood latch bolts with a permanent marker to ease re-alignment.
- Remove hood latch bolts and set hood latch mechanism aside.
- Do not remove hood latch cable from assembly.

2. Mount speaker to bracket (SEE FIG. 1):

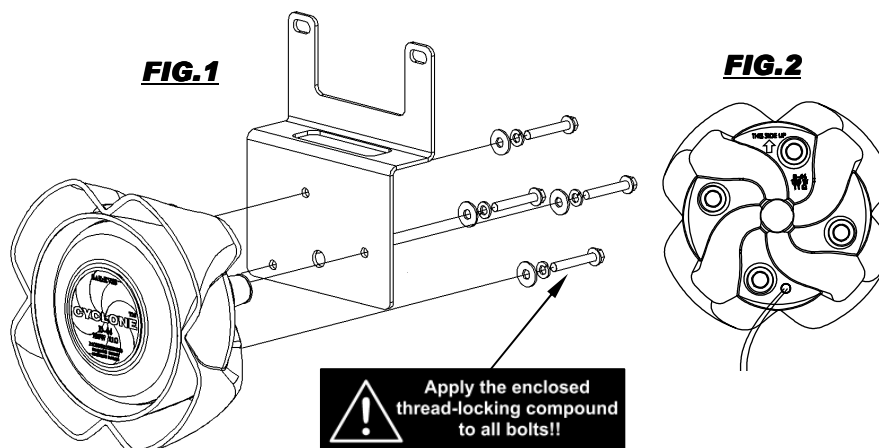
- Remove three (3) bolts from back of D-44 speaker.
- Speaker wires must exit bottom of speaker (SEE FIG.2)
- Apply thread locking compound to threads.
- Align holes in bracket to speaker and re-install bolts torquing them to 30 in-lbs.

3. Install speaker and reinstall hood latch mechanism:

- Place speaker/bracket assembly in hood latch cavity.
- Align speaker mounting holes with the existing latch mounting holes in the core support. (SEE FIG 3)
- Reinstall hood mechanism to its original position using previously marked locations.
- Reinstall bolts and torque to proper manufacturers torque specification.


4. Route wires:

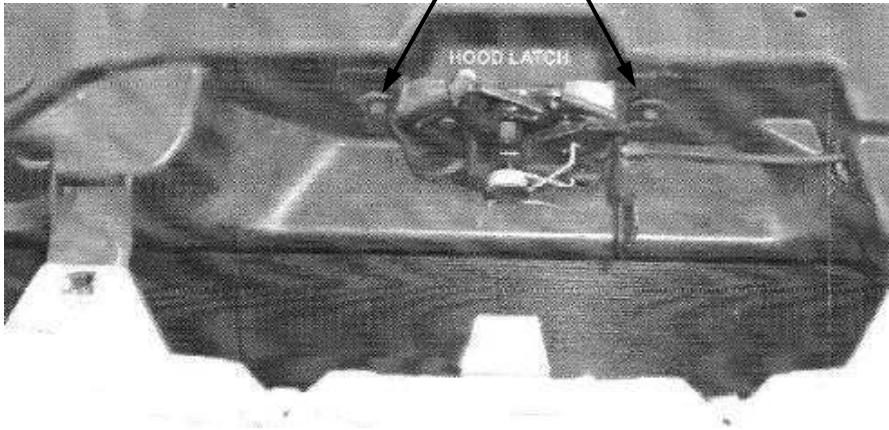
- Route wires so they are not in contact with any sharp or abrasive surface.
- Fasten securely to nearby features.
- Refer to siren installation manual for wiring connections.



EXISTING HOOD LATCH
MOUNTING HOLES

FIG.3

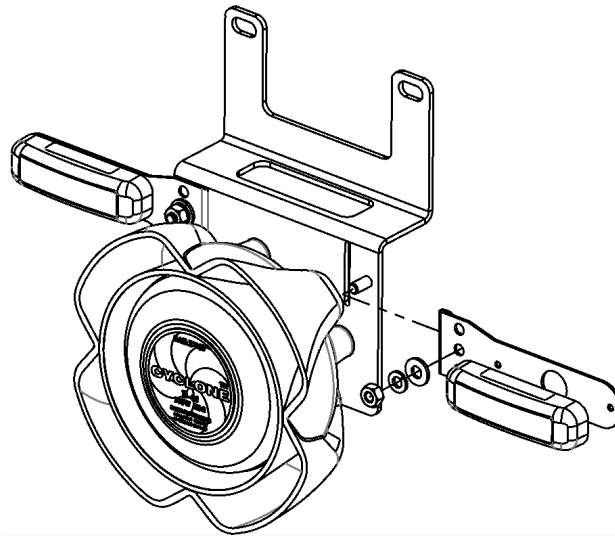
 Apply the enclosed
thread-locking compound
to all bolts!!



Optional VersaStar™ Bracket Installation

If you purchased a model that includes brackets for the VersaStar™ lights, attach them to the speaker bracket as shown below.

Refer to the instructions with the lights for details on mounting the lights to the bracket.



Please Note: These instructions are provided as a general guideline only. Specific mounting, wiring, and/or weather-sealing may be necessary and are the sole responsibility of the installer. The manufacturer assumes no responsibility for the integrity of the installation for this or any of its products.

ONE YEAR LIMITED WARRANTY

The manufacturer warrants each new product against factory defects in material and workmanship for one year after the date of purchase. The owner will be responsible for returning to the Service Center any defective item(s) with the transportation costs prepaid. The manufacturer will, without charge, repair or replace *at its option*, products, or part(s), which its inspection determines to be defective. Repaired or replacement item(s) will be returned to the purchaser with transportation costs prepaid from the service point. A copy of the purchaser's receipt must be returned with the defective item(s) in order to qualify for the warranty coverage. Exclusions from this warranty include, but are not limited to, bulbs, strobe tubes, domes, and/or the finish. This warranty shall not apply to any light, which has been altered, such that in the manufacturer's judgment, the performance or reliability has been affected, or if any damage has resulted from abnormal use or service.

There are no warranties expressed or implied (including any warranty of merchantability or fitness), which extend this warranty period. **The loss of use of the product, loss of time, inconvenience, commercial loss or consequential damages, including costs of any labor, are not covered.** The manufacturer reserves the right to change the design of the product without assuming any obligation to modify any product previously manufactured.

This warranty gives you specific legal rights. You might also have additional rights that may vary from state to state. Some states do not allow limitations on how long an implied warranty lasts. Some states do not allow the exclusion or limitation of incidental or consequential damages. Therefore, the above limitation(s) or exclusion(s) may not apply to you.

If you have any questions concerning this or any other product, please contact our **Customer Service Department** at (585) 226-9025.

If a product must be returned for any reason, please contact our Customer Service Department to obtain a Returned Materials Authorization number (RMA #) before you ship the product back. Please write the RMA # clearly on the package near the mailing label.



NOTICE

Due to continuous product improvements, we must reserve the right to change any specifications and information, contained in this manual at any time without notice. The manufacturer makes no warranty of any kind with regard to this manual, including, but not limited to, the implied warranties of merchantability and fitness for a particular purpose. The manufacturer shall not be liable for errors contained herein or for incidental or consequential damages in connection with the furnishing, performance, or use of this manual.

