

MODEL COLOR DEFINITIONS:

- Y: AMBER
- B: BLUE
- G: GREEN
- R: RED
- W: COOL WHITE



CHART 1

MODEL	VOLTAGE	CURRENT	CLASSIFICATION	CLASSIFICATION	CLASSIFICATION
DLITE-YY	10-30VDC	0.55A	ECE REG. 65	SAE CLASS I	ECE REG 10
DLITE-YB	10-30VDC	0.55A	N/A	SAE CLASS II	ECE REG 10
DLITE-YG	10-30VDC	0.55A	N/A	N/A	ECE REG 10
DLITE-YR	10-30VDC	.055A	N/A	SAE CLASS II	ECE REG 10
DLITE-YW	10-30VDC	0.55A	N/A	SAE CLASS II	ECE REG 10
DLITE-BB	10-30VDC	0.55A	ECE REG. 65	SAE CLASS I	ECE REG 10
DLITE-BW	10-30VDC	0.55A	N/A	SAE CLASS II	ECE REG 10
DLITE-GG	10-30VDC	0.55A	N/A	N/A	ECE REG 10
DLITE-GW	10-30VDC	0.55A	N/A	N/A	ECE REG 10
DLITE-RB	10-30VDC	0.55A	N/A	SAE CLASS I	ECE REG 10
DLITE-RR	10-30VDC	0.55A	ECE REG. 65	SAE CLASS I	ECE REG 10
DLITE-RW	10-30VDC	0.55A	N/A	SAE CLASS II	ECE REG 10
DLITE-WW	10-30VDC	0.55A	N/A	SAE CLASS I	ECE REG 10
DLITS-YY	10-30VDC	0.55A	SAE CLASS I	CA TITLE 13	ECE REG 10
DLITS-YB	10-30VDC	0.55A	SAE CLASS I	CA TITLE 13	ECE REG 10
DLITS-YG	10-30VDC	0.55A	N/A	N/A	ECE REG 10
DLITS-YR	10-30VDC	0.55A	SAE CLASS I	CA TITLE 13	ECE REG 10
DLITS-YW	10-30VDC	0.55A	SAE CLASS I	N/A	ECE REG 10
DLITS-BB	10-30VDC	0.55A	SAE CLASS I	CA TITLE 13	ECE REG 10
DLITS-BW	10-30VDC	0.55A	SAE CLASS I	N/A	ECE REG 10
DLITS-GG	10-30VDC	0.55A	N/A	N/A	ECE REG 10
DLITS-GW	10-30VDC	0.55A	N/A	N/A	ECE REG 10
DLITS-RB	10-30VDC	0.55A	SAE CLASS I	CA TITLE 13	ECE REG 10
DLITS-RR	10-30VDC	0.55A	SAE CLASS I	CA TITLE 13	ECE REG 10
DLITS-RW	10-30VDC	0.55A	SAE CLASS I	N/A	ECE REG 10
DLITS-WW	10-30VDC	0.55A	SAE CLASS I	N/A	ECE REG 10

REV.	ECR	DESCRIPTION	DATE
-	13246	INITIAL DRAWING REQUEST	02/08/16
A	13492	UPDATE CHART 1 SAE & TITLE 13 CLASSIFICATIONS	4/1/2016
B	14925	UPDATE ECE, REMOVED "EXPECTED"	1/19/2018

SPECIFICATIONS:

Typical Input Voltage Range: 10-30VDC @0.55A
 Operating Temperature Range: -40C to 55C
 Connections: 8 inch (min.) wires exiting the unit.
 Permanent Mounting: 2 Hole Pattern 4.5"

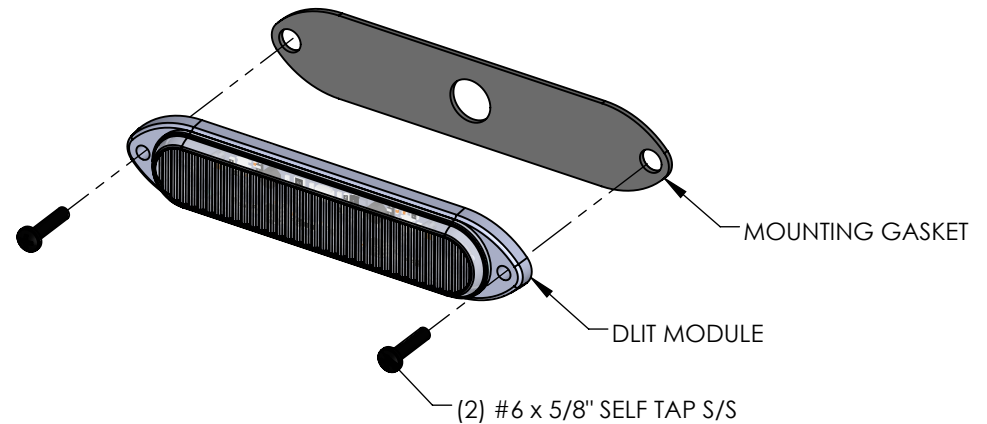
Materials:

Module Lens: Polycarbonate
 Mounting Hardware: Stainless Steel
 Heat Sink: Die cast Aluminum
 Mounting Gasket: EPDM Foam Rubber

Connections:

22 Gage Red Wire: Positive VDC
 22 Gage Black Wire: Negative VDC
 22 Gage Green Wire: Pattern Select
 22 Gage White: Synchronization

Model Colors: See CHART 1



UNLESS OTHERWISE SPECIFIED

DIMENSIONS ARE IN INCHES

TOLERANCES:

ANGULAR: ± 2 DEG.
 .X ± .100
 .XX ± .020
 .XXX ± .005
 .XXXX ± .001

RoHS COMPLIANT: Yes

MATERIAL:

N/A

FINISH:

N/A

DRAWN BY: MD

DRAWING APPROVED BY ECR

THE INFORMATION CONTAINED IN THIS DRAWING IS THE SOLE PROPERTY OF STAR HEADLIGHT & LANTERN CO., INC.. ANY REPRODUCTION IN PART OR AS A WHOLE WITHOUT THE WRITTEN PERMISSION OF STAR HEADLIGHT & LANTERN CO., INC. IS STRICTLY PROHIBITED.

STAR HEADLIGHT & LANTERN CO., INC.

455 Rochester St. Avon NY 14414
 Ph:(585) 226-9500 Fax: (585) 226-2029

MODEL: DLITE-** DLITS-**

TITLE: MODEL DRAWING

DWG. NO.

DLIT

REV

B

SCALE: 1:2

DO NOT SCALE FROM DRAWING

SHEET 1 OF 1