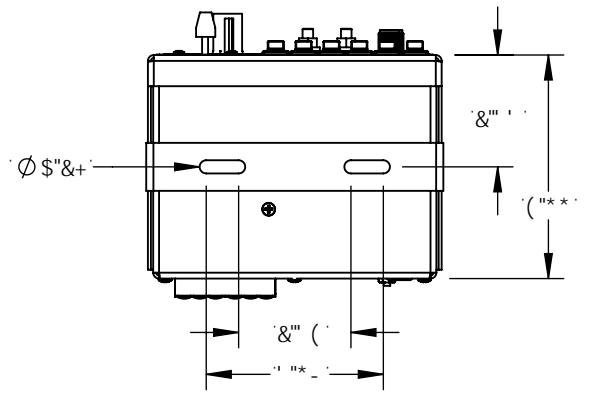
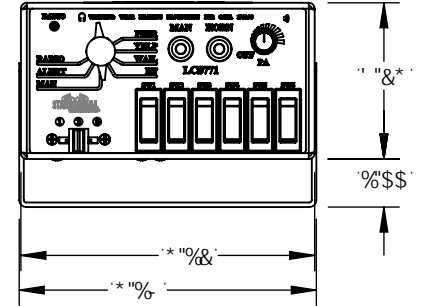
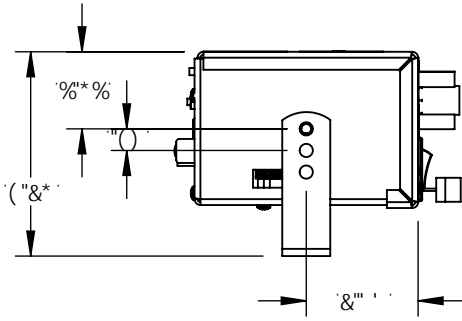
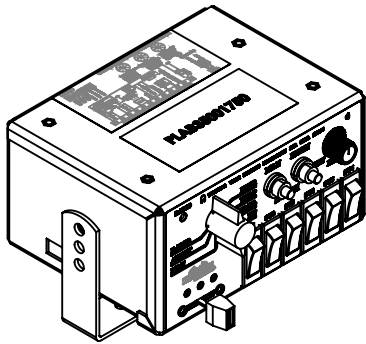


F9J "	97 F	8 9G7 F-DHC B	85H9
!	%, ' %	B #H5 @8F5K -B; F9E I 9GH	\$- #S+#&S%



GD97 ÷ 7 5HC BG

DC K 9F !'&\$\$K
 A D985B79@C 58!'%c\ a g#) "c\ a g
 7 C BB97 HC B !'9! FC 'GM%&D-B 'G7 F9K 'C 7 ? 'HFA -B5@577 9DHG%&L&&5K ;
 G@89GK #7 < 7 C BB97 HC BG! '* G7 F9K '8CK B 'HFA -B5@G%&L&&5K ;
 FC 7?9F 'GK #7 < 7 C BB97 HC BG! 'f%&L% (5K ; 'K 'F9G957 < %) f%&L% B;
 fG99'A 5BI 5@: C F F97 CA A 9B898 ; 5I ; 9G

A C I BHB; '1'6F57?9HCF'6C @G
 '* 5I 8@ 'HC B9G
 'D5!'9L79DH!@ 'A C 89@
 'F58@ 'F96FC5875GH
 '- @< HB; 'C I HDI HG'5H&\$5'957 <

9BJ fCA 9BH5@

%\$!%'J '87
 '!&&: 'C '%('\$

A 5HF-5@

<C I GB; '!'* "DC K 89F '7 C 5H98 '5@ A -B I A
 '6F57?9H! '% ; 5; 9DC K 89F '7 C 5H98 'GH9@
 'A C I B+B; '6C @G!'%#(!&\$'L" #, ': @B; 9ZNB7 '6@57?'7 < FCA 5H

5DFCJ.5@f'k <9B I G98 'K #k 'G5F'G÷ B5@GD95?9F

'A 99HG577 I GH7 5@F9E I f9A 9BHG59'>% (-
 '75 'H@%

I B@GGCH9FK -@GD97 ÷ 98	8F5K B'6M	H5	G5F' < 958@ < H/ @5BHFB'7C'Z-B7"
8-A 9BG@BG5F9-B' B7 < 9G	8F5K -B; '5DDFCJ 98' 6M97 F'		() 'FcV\YgYfGh"5j cb BM%((% D\.)) E&&*!-) \$\$\$: UI. f)) E&&*!&S&-
.....HC @F5B7 9G-	H: 9 B: C FA 5HC B'7 C BH5 B98 -B H- G		A C 89@ @ G++%Z@ G++%& Z@ G++%@A
.....5B; I @F. "± & 89 "	8F5K -B: 'GH-9GC @DFC D9F HMC:		H#9:
.....L± %\$S	G5F' < 958@ < H/ @5BHFB'7C'Z-B7"		A C 89@8F5K -B;
.....LL± %\$S	5BMF9DFC 8I 7 HC B -B D5FHC F 5G5		8K; "BC"
.....LLL± %\$S	K < C @K #k C I Hk 9K F #9B D9FA -GGC B		@ G++%
.....LLLL± %\$S	C: G5F' < 958@ < H/ @5BHFB'7C'Z-B7"		F9J !
Fc < G7 CA D@5BH - Bc	'G5F 7 H@MDFC < 6498"		G75 @.% (
A 5HF-5@			8C BCHG75@: FCA 8F5K -B;
B #5			G< 99H% C: %
: B G<			
B #5			