

REV.	ECR	DESCRIPTION	DATE
-	14585	INITIAL DRAWING REQUEST	08/17/17

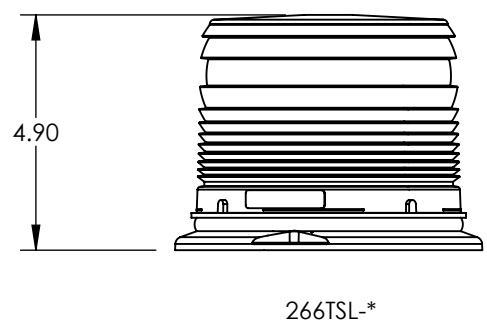
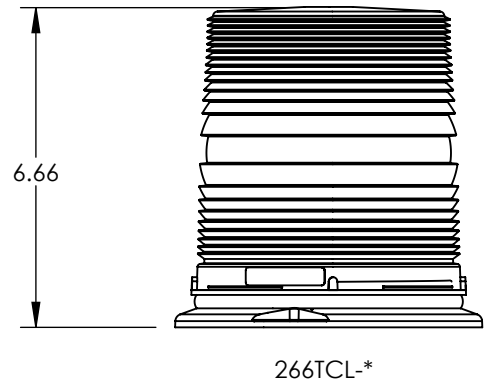
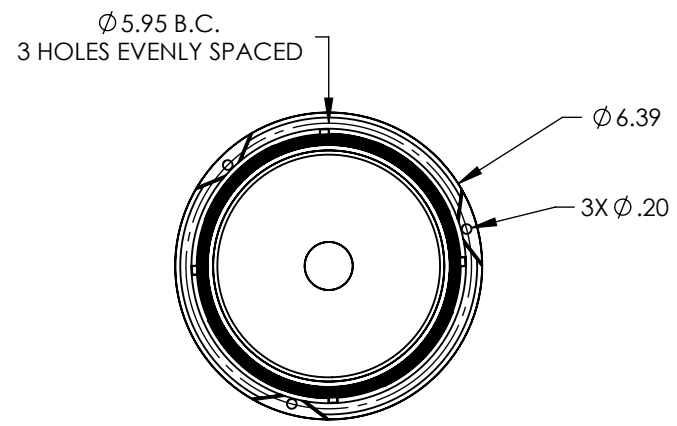
SPECIFICATIONS:

TYPICAL INPUT VOLTAGE RANGE: 9-32VDC
 TYPICAL CURRENT DRAW: 12.8VDC=0.45A
 TYPICAL CURRENT DRAW: 25.6VDC=0.23A
 TYPICAL LIGHT OUTPUT (8 WARM WHITE LED'S): 1144 lm PEAK
 TYPICAL LIGHT OUTPUT (8 COOL WHITE LED'S): 1223 lm PEAK
 TYPICAL LIGHT OUTPUT (8 PC AMBER LED'S): 880 lm PEAK
 LUMEN MAINTENANCE: 85% LUMEN AFTER 100,000 HOURS OPERATION
 OPERATING TEMPERATURE RANGE: -40C TO 55C
 CONNECTIONS: 18 GAGE RED WIRE MIN. 18" LONG + POWER
 18 GAGE BLACK WIRE MIN. 18" LONG - GROUND
 18 GAGE GREEN WIRE MIN. 18" LONG - PATTERN SELECT
 20 GAGE WHITE WIRE MIN. 18" LONG SYNCHRONIZATION

3 HOLE FLANGE MOUNTING

MATERIALS: OUTER DOME: VIRGIN POLYCARBONATE

BASE: POLYCARBONATE



MODELS	DESCRIPTIONS	CLASSIFICATIONS
266TCL-A	LED BEACON; AMBER; 9-32VDC; 3 HOLE FLANGE MOUNT; 8 WARM WHITE LED'S; 4 WIRES; AMBER 6 INCH DOME	SAE: W3-1 17
266TCL-AC	LED BEACON; AMBER; 9-32VDC; 3 HOLE FLANGE MOUNT; 8 PC AMBER LED'S; 4 WIRES; CLEAR 6 INCH DOME	TBD
266TCL-B	LED BEACON; BLUE; 9-32VDC; 3 HOLE FLANGE MOUNT; 8 COOL WHITE LED'S; 4 WIRES; BLUE 6 INCH DOME	TBD
266TCL-C	LED BEACON; COOL WHITE; 9-32VDC; 3 HOLE FLANGE MOUNT; 8 COOL WHITE LED'S; 4 WIRES; CLEAR 6 INCH DOME	TBD
266TCL-G	LED BEACON; GREEN; 9-32VDC; 3 HOLE FLANGE MOUNT; 8 COOL WHITE LED'S; 4 WIRE; GREEN 6 INCH DOME	N/A
266TCL-R	LED BEACON; RED; 9-32VDC; 3 HOLE FLANGE MOUNT; 8 WARM WHITE LED'S; 4 WIRE; RED 6 INCH DOME	TBD
266TSL-A	LED BEACON; AMBER; 9-32VDC; 3 HOLE FLANGE MOUNT; 8 WARM WHITE LED'S; 4 WIRE; AMBER 4 INCH DOME	SAE: W3-1 17
266TSL-AC	LED BEACON; AMBER; 9-32VDC; 3 HOLE FLANGE MOUNT; 8 WARM WHITE LED'S; 4 WIRE; CLEAR 4 INCH DOME	TBD
266TSL-B	LED BEACON; BLUE; 9-32VDC; 3 HOLE FLANGE MOUNT; 8 COOL WHITE LED'S; 4 WIRE; BLUE 4 INCH DOME	TBD
266TSL-C	LED BEACON; COOL WHITE; 9-32VDC; 3 HOLE FLANGE MOUNT; 8 COOL WHITE LED'S; 4 WIRE; CLEAR 4 INCH DOME	TBD
266TSL-G	LED BEACON; GREEN; 9-32VDC; 3 HOLE FLANGE MOUNT; 8 COOL WHITE LED'S; 4 WIRE; GREEN 4 INCH DOME	N/A
266TSL-R	LED BEACON; RED; 9-32VDC; 3 HOLE FLANGE MOUNT; 8 WARM WHITE LED'S; 4 WIRE; RED 4 INCH DOME	TBD

UNLESS OTHERWISE SPECIFIED
 DIMENSIONS ARE IN INCHES
 TOLERANCES:
 ANGULAR: ± 2 DEG.
 .X ± .100
 .XX ± .020
 .XXX ± .005
 .XXXX ± .001

DRAWN BY: MD
DRAWING APPROVED BY ECR
 THE INFORMATION CONTAINED IN THIS DRAWING IS THE SOLE PROPERTY OF STAR HEADLIGHT & LANTERN CO., INC.. ANY REPRODUCTION IN PART OR AS A WHOLE WITHOUT THE WRITTEN PERMISSION OF STAR HEADLIGHT & LANTERN CO., INC. IS STRICTLY PROHIBITED.

STAR HEADLIGHT & LANTERN CO., INC.
 455 Rochester St. Avon NY 14414
 Ph:(585) 226-9500 Fax: (585) 226-2029

MODEL: 266TCL-*, 266TSL-*

TITLE: MODEL DRAWING

RoHS COMPLIANT: Yes
 MATERIAL: N/A
 FINISH: N/A

DWG. NO. 266TL REV -
 SCALE: 1:4 DO NOT SCALE FROM DRAWING SHEET 1 OF 1