

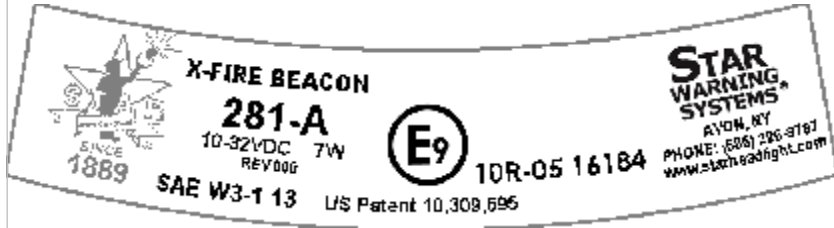
**SPECIFICATIONS:**

Typical Input Voltage Range: 10-32VDC  
 Typical Current Draw: 0.5A@13.5VDC, 0.3A@28.0VDC  
 Default Flash Pattern: 128 Quad flash per minute. (2.1 CPS)  
 Lumen maintenance: 70% lumen after 50,000 hours of operation  
 Operating Temperature Range: -40C to 65C  
 Connections: 18" Long; 18 gage; Red Wire +Power  
                   18" Long; 18 gage; Black Wire - Ground  
                   18" Long; 20 gage; Green Wire - Pattern Select  
                   18" Long; 20 gage; White Wire Synchronization  
                   18" Long; 20 gage; Purple Wire - Not Used

3 Bolt Patterns: 6.0" [151] B.C. to 5.1" [130] B.C.  
 Dimensions: 5.6" [143] tall x 6.3" [160] dia.

**Materials:**

Outer Dome (NOT REMOVABLE): Polycarbonate  
 Base: Polycarbonate

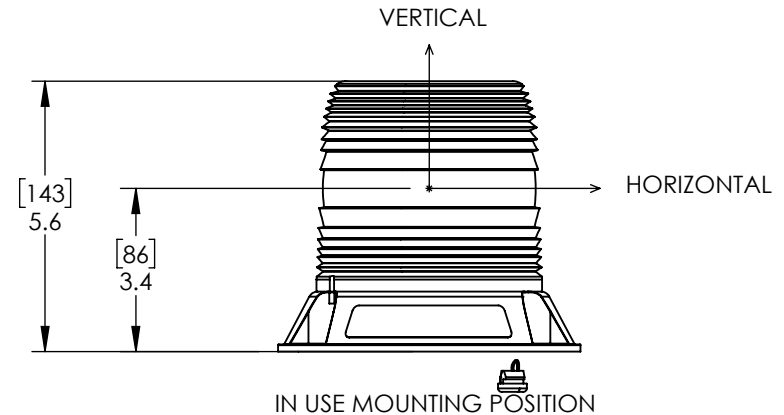
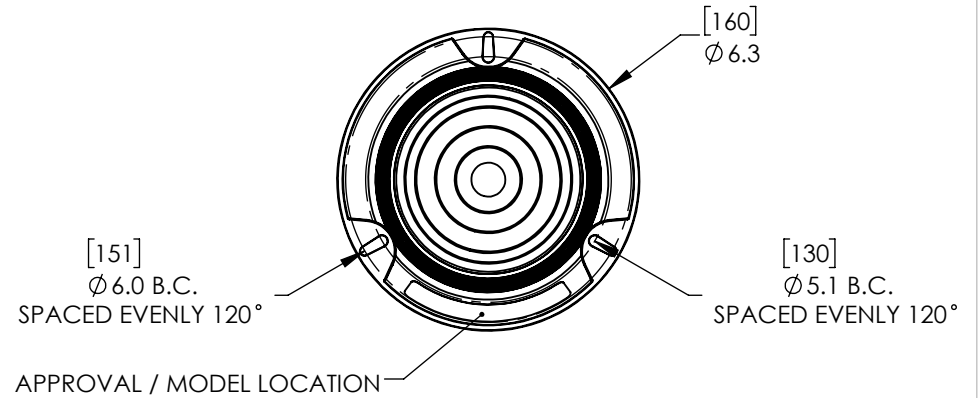


Model Numbers / Descriptions

Classifications for Visual Warning Devices:

MODEL	REG 10	SAE J845	LEDS (8)	DOME COLOR	MOUNT
281-A	10R-05 16184 E9	CLASS I	WARM WHITE	AMBER	3 BOLT MOUNT
281-AC	10R-05 16184 E9	NOT TESTED	PC AMBER	CLEAR	3 BOLT MOUNT
281-B	10R-05 16184 E9	CLASS II	COOL WHITE	BLUE	3 BOLT MOUNT
281-C	10R-05 16184 E9	CLASS II	COOL WHITE	CLEAR	3 BOLT MOUNT
281-G	10R-05 16184 E9	N/A	COOL WHITE	GREEN	3 BOLT MOUNT
281-R	10R-05 16184 E9	CLASS II	WARM WHITE	RED	3 BOLT MOUNT

REV.	ECR	DESCRIPTION	DATE
-	14655	INITIAL DRAWING REQUEST	09/14/17
A	15133	10-32 WAS 9-32. ADDED ECE CERT	05/22/18
B	16308	ADDED SAE J845 SPEC. UPDATED CURRENT FORMAT	11/21/2018
C	17307	REMOVED REG 65 APPROVAL	6/11/2020



UNLESS OTHERWISE SPECIFIED DIMENSIONS ARE IN INCHES TOLERANCES: ANGULAR: ± 2 DEG. .X ± .100 .XX ± .020 .XXX ± .005 .XXXX ± .001	DRAWN BY: MD	<b>STAR HEADLIGHT &amp; LANTERN CO., INC.</b> 455 Rochester St. Avon NY 14414 Ph:(585) 226-9500 Fax: (585) 226-2029	
	DRAWING APPROVED BY ECR		
RoHS COMPLIANT: Yes	THE INFORMATION CONTAINED IN THIS DRAWING IS THE SOLE PROPERTY OF STAR HEADLIGHT & LANTERN CO., INC.. ANY REPRODUCTION IN PART OR AS A WHOLE WITHOUT THE WRITTEN PERMISSION OF STAR HEADLIGHT & LANTERN CO., INC. IS STRICTLY PROHIBITED.		MODEL: 281-*
MATERIAL: N/A	FINISH: N/A		TITLE: 281 MODEL
DWG. NO. 281		REV C	
SCALE: 1:4	DO NOT SCALE FROM DRAWING	SHEET 1 OF 1	