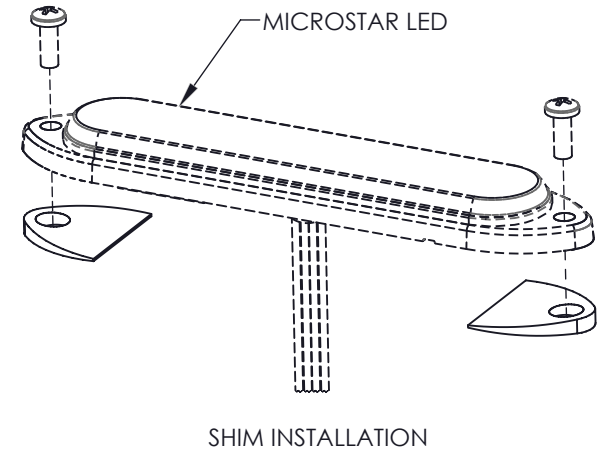
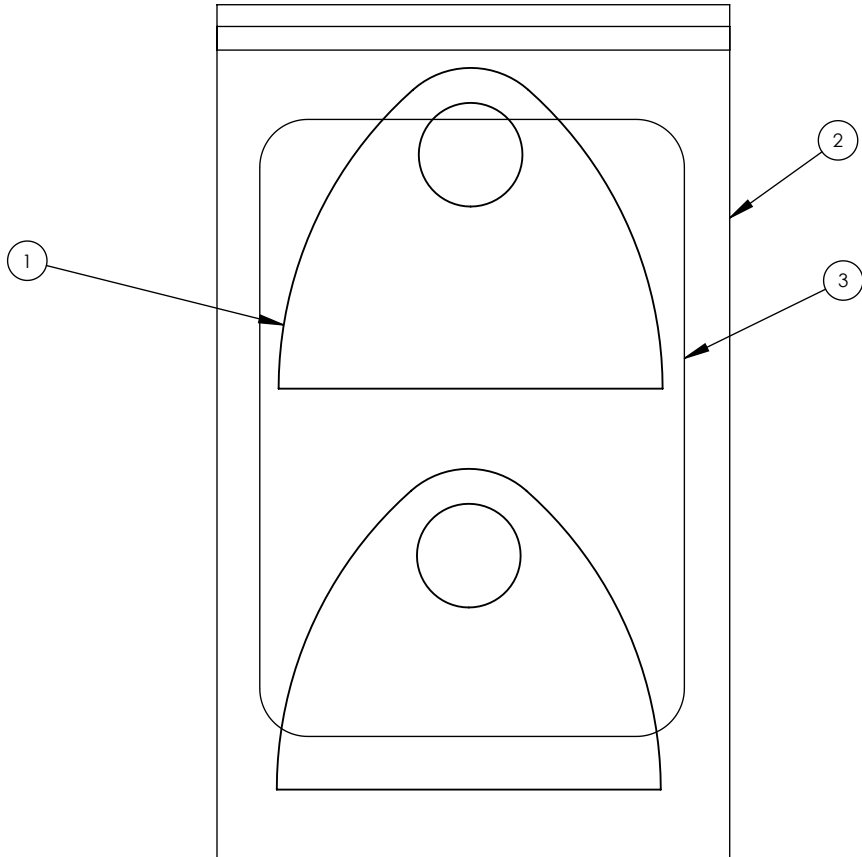


ITEM NO.	PART NUMBER	DESCRIPTION	QTY.
1	P30019-314	DLIT CURVED SURFACE SHIM	2
2	P30024-7	POLY BAG	1
3	PLAB21X2WI	LABEL	1

REV.	ECR	DESCRIPTION	DATE
A	17952	INITIAL DRAWING REQUEST	05/05/2021



**UNLESS OTHERWISE SPECIFIED**

DIMENSIONS ARE IN INCHES

TOLERANCES:

ANGULAR: ± 2 DEG.

.X ± .100

.XX ± .020

.XXX ± .005

.XXXX ± .001

RoHS COMPLIANT: YES

MATERIAL:

N/A

FINISH:

N/A

DRAWN BY: MD

**DRAWING APPROVED BY ECR**

THE INFORMATION CONTAINED IN THIS DRAWING IS THE SOLE PROPERTY OF STAR HEADLIGHT & LANTERN CO., INC.. ANY REPRODUCTION IN PART OR AS A WHOLE WITHOUT THE WRITTEN PERMISSION OF STAR HEADLIGHT & LANTERN CO., INC. IS STRICTLY PROHIBITED.

**STAR HEADLIGHT & LANTERN CO., INC.**

455 Rochester St. Avon NY 14414

Ph:(585) 226-9500 Fax: (585) 226-2029

MODEL: 30019-314

TITLE:  
**SHIM KIT**

DWG. NO.

30019-314

REV

A

SCALE: 2:1

DO NOT SCALE FROM DRAWING

SHEET 1 OF 1