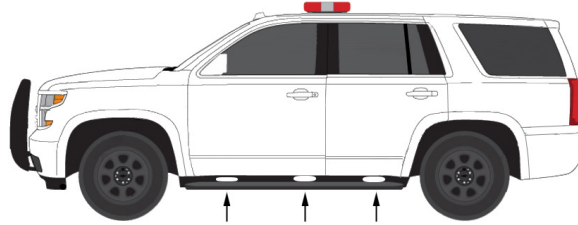
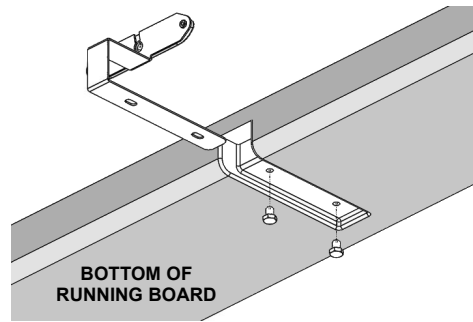


274-DLIT-RB Chevrolet Tahoe Running Board Bracket



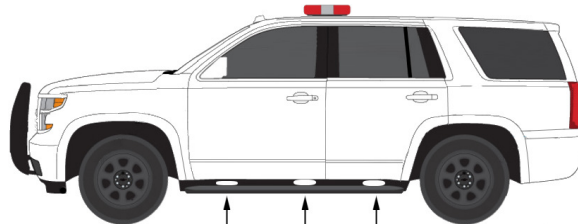
These brackets are designed to mount several DLIT lights above your running boards on each side of the Chevrolet Tahoe.

1. Remove the two bolts in each of the 4 brackets that attach the running board to the vehicle.
2. Place each 274-DLIT-RB that you are mounting against the running board as shown to the right.
3. Reattach the running board to the brackets on the vehicle, sandwiching the 274-DLIT-RB between the running board and the mounting bracket.



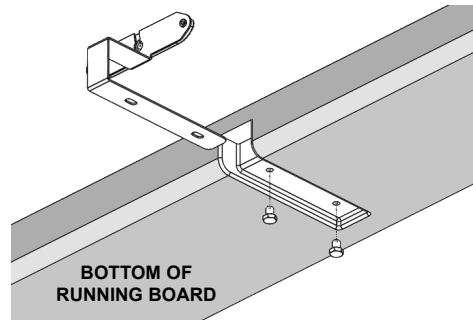
PLIT616 REV. - 3/2/21

274-DLIT-RB Chevrolet Tahoe Running Board Bracket



These brackets are designed to mount several DLIT lights above your running boards on each side of the Chevrolet Tahoe.

1. Remove the two bolts in each of the 4 brackets that attach the running board to the vehicle.
2. Place each 274-DLIT-RB that you are mounting against the running board as shown to the right.
3. Reattach the running board to the brackets on the vehicle, sandwiching the 274-DLIT-RB between the running board and the mounting bracket.



PLIT616 REV. - 3/2/21