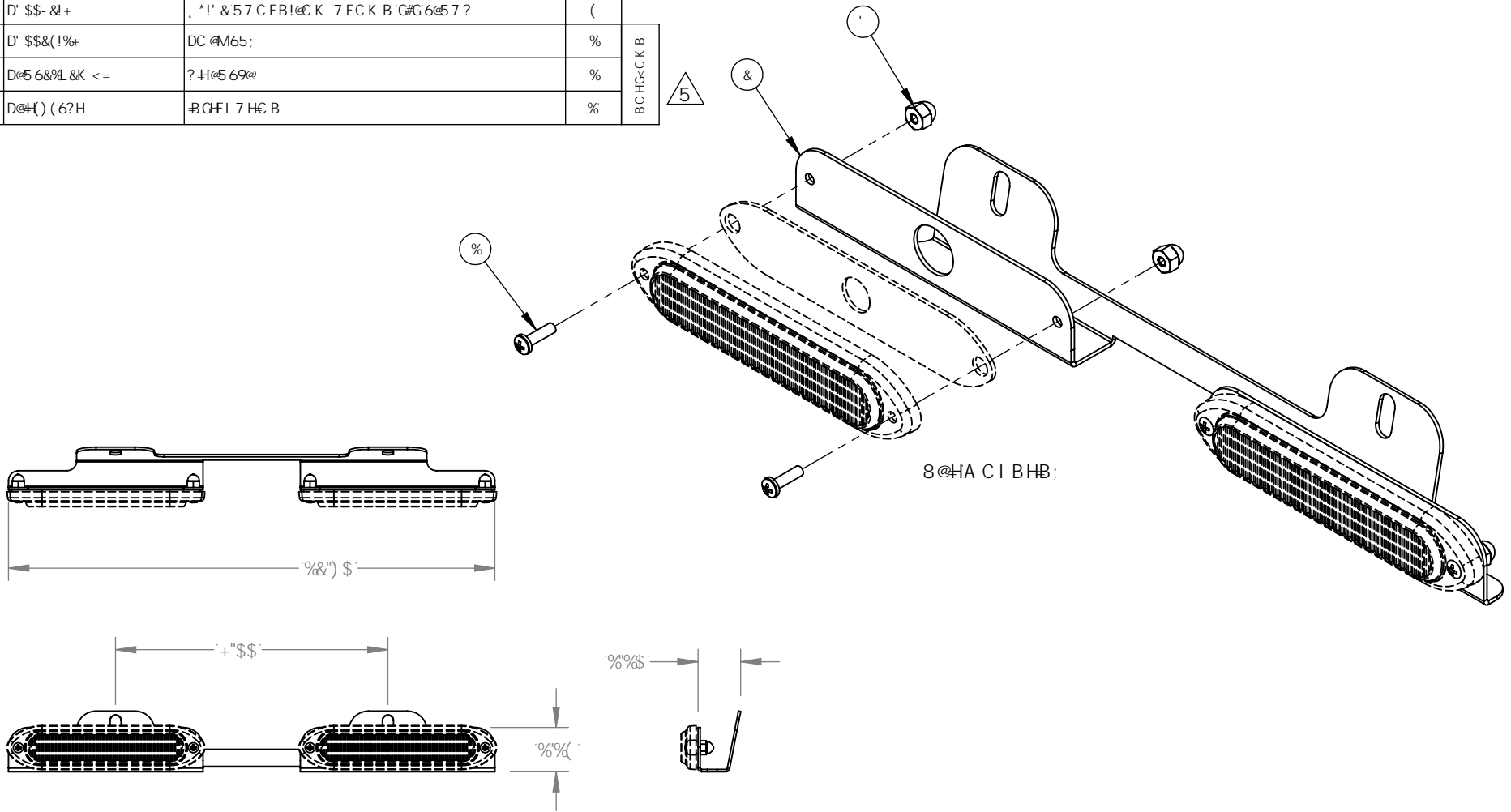


#DA 'BC "	D5FHBI A 69F	89G7 F-DHC B	E HM
%	D' \$\$) &!( \$	. *!' & L '%#&"D< @D5 B 'H5DH#9 G#G 6@5 7 ?	(
&	D' \$%) \$( (*D	8@H@7 9B 7 9D@5H9 6F5 7 ?9H	%
'	D' \$\$- &+	. *!' & 5 7 C FB!@C K ' 7 FCK B 'G#G 6@5 7 ?	(
(	D' \$\$&(!%+	DC @M65;	%
)	D@5 6&#L &K <=	? #!@5 69@	%
*	D@H( ) ( 6?H	B#GFI 7 HC B	%

BCHG-CK B

F9J "	97 F	89G7 F-DHC B	85H9
!	%)%&	B #H5 @8F5K B; F 9E I 9GH	\$( #% #/6
5	% , , (	F 9A C J 98 ' I G5 ' @5 69@D@5 6I G5 H	- #&- #/6*



I B@GGCH 9FK -@9@97 ≠ 98	8F5K B'6M	A 8
8-A 9B@C BG5F9 B' B7 <9G	8F5K B; '5DDFCJ 98 6M97 F'	
.....HC @F5B 7 9G-	H: 9 B: C FA 5HC B 7 C B H5 B 98 B H- G	
.....5B; I @F. ' ± & 89. "	8F5K B: G H: 9 GC @DFC D9F HMC:	
.....L ..... ± %&\$	G5F < 958 @ < H/ @5BHFB 7 C 'Z-B 7	
.....LLL ..... ± '\$&\$	5B MF9DFC 8I 7 HC B -B D5FHCF 5G5	
.....LLLL ..... ± '\$\$	K < C @K #K CI H H: 9 K F H#B D9FA -GGC B	
.....LLLL ..... ± '\$\$%	C: G5F < 958 @ < H/ @5BHFB 7 C 'Z-B 7	
Fc < G7 CA D@5BH M'g	G5F 7 H M DFC < 6 H 98 "	
A 5H#F-5@		
B #5		
: B G-		
B #5		

G5F < 958 @ < H/ @5BHFB 7 C 'Z-B 7 "
( ) Fc V Y g Y f G H " 5 j c b B M % ( ( (
D \ . f ) , ) E & * ! - ) \$ \$ : U I . f ) , ) E & * ! & \$ & -
A C 89 @ & + ( ! 8 @ H F @
H # 99
8 @ H ? # 8 F 5 K B ;
8 K ; " BC "
& + ( ! 8 @ H F @
F 9 J
5
G 7 5 @ . % (
8 C B C H G 7 5 @ : F C A 8 F 5 K B :
G < 99 H % C : %