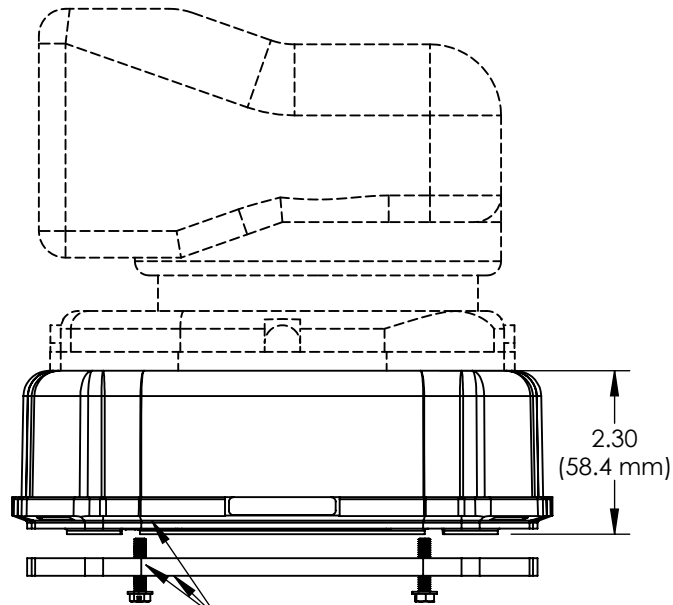
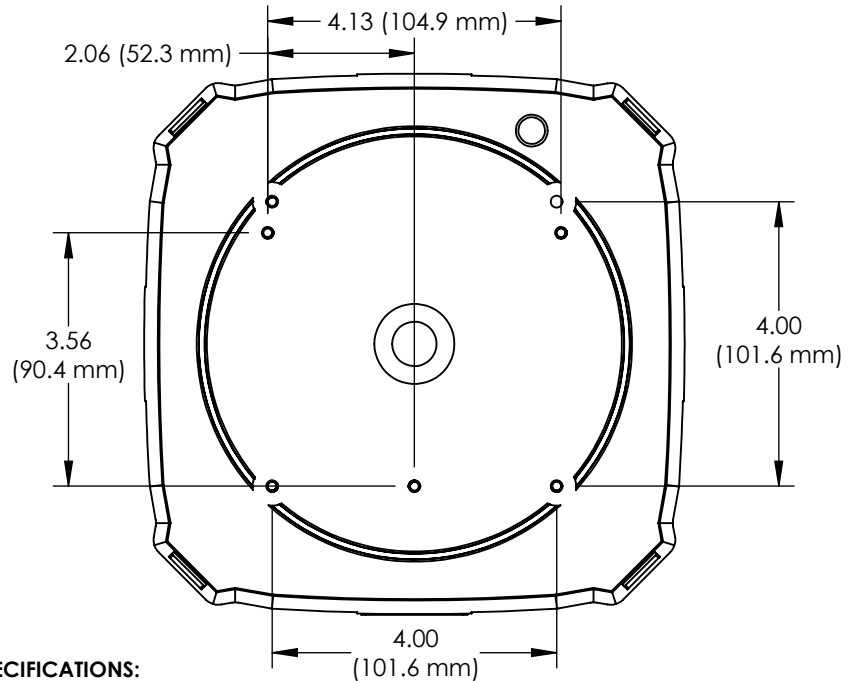
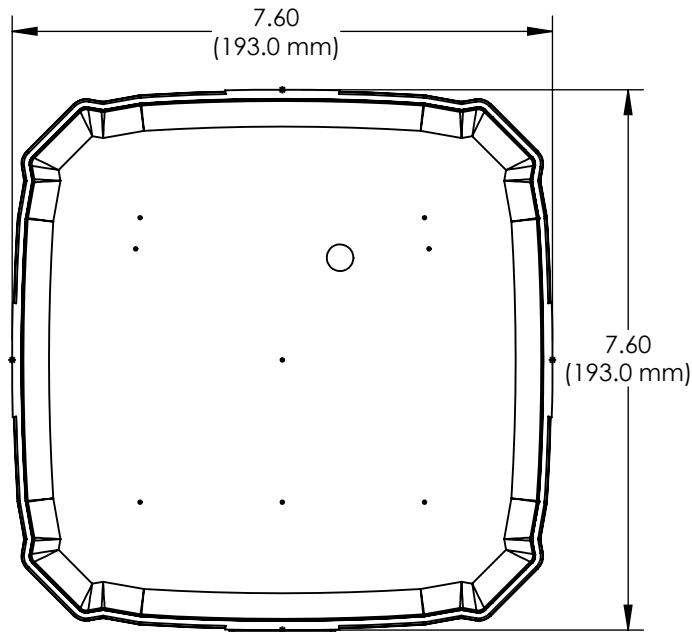


REV.	ECR	DESCRIPTION	DATE
A	17791	INITIAL DRAWING REQUEST	02/03/2021



MOUNTING HARDWARE
 #8 EXTERNAL TOOTH LOCK WASHER (4)
 #8-32 X 3/4" HEX HEAD SCREW (4)
 GASKET (FOAM EPDM)
 MOUNTING SURFACE THICKNESS
 MIN = 1/16" MAX = 1/4"

SPECIFICATIONS:

NOMINAL VOLTAGE RANGE: 12VDC
 OPERATING VOLTAGE RANGE: 10-16VDC
 TYPICAL CURRENT DRAW: 1.2A AVG. 4.3A PEAK @ 12.8VDC
 OPERATING TEMPERATURE: -30°C (-22F) TO 50°C (122F)

CONNECTIONS:

RED: POWER +12VDC (18 AWG, 17" LONG)
 BLACK: GROUND (-) (18 AWG, 17" LONG)
 GREEN: PATTERN SELECT (20 AWG, 17" LONG)
 WHITE: SYNCHRONIZATION (20 AWG, 17" LONG)
 PURPLE: HI/LO POWER (20 AWG, 17" LONG)

MATERIALS:

BASE: 33% GLASS FILLED 6/6 NYLON
 DOME: POLYCARBONATE

CERTIFICATIONS:

SAE J845 (TBD)

UNLESS OTHERWISE SPECIFIED DIMENSIONS ARE IN INCHES TOLERANCES: ANGULAR: ± 2 DEG. .X ± .100 .XX ± .020 .XXX ± .005 .XXXX ± .001	DRAWN BY: EP	STAR HEADLIGHT & LANTERN CO., INC. 455 Rochester St. Avon NY 14414 Ph:(585) 226-9500 Fax: (585) 226-2029
	DRAWING APPROVED BY ECR THE INFORMATION CONTAINED IN THIS DRAWING IS THE SOLE PROPERTY OF STAR HEADLIGHT & LANTERN CO., INC.. ANY REPRODUCTION IN PART OR AS A WHOLE WITHOUT THE WRITTEN PERMISSION OF STAR HEADLIGHT & LANTERN CO., INC. IS STRICTLY PROHIBITED.	
RoHS COMPLIANT: YES	MATERIAL: N/A	MODEL: 9901LED
FINISH: N/A	DWG. NO. 9901LED	TITLE: MODEL DRAWING
	SCALE: 1:4	DO NOT SCALE FROM DRAWING
		REV A
		SHEET 1 OF 1