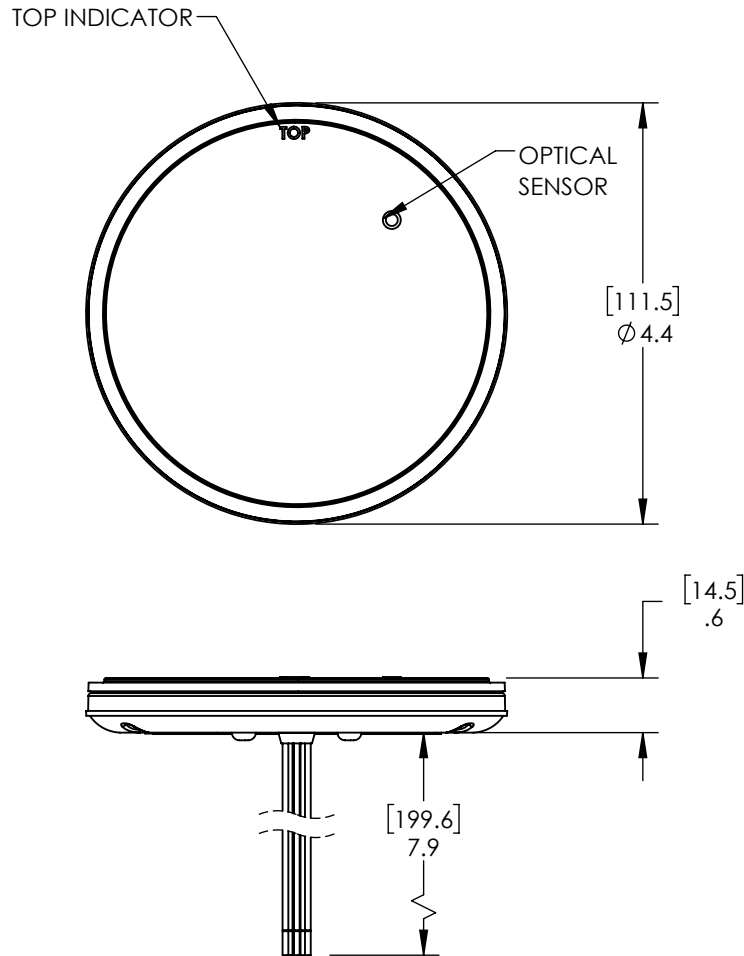


REV.	ECR	DESCRIPTION	DATE
-	17361	INITIAL DRAWING REQUEST	10/05/2020



SPECIFICATIONS:

OPERATING RANGE: 9-32VDC
 NOMINAL VOLTAGE: 12/24 VDC
 TYPICAL CURRENT DRAW: 12.8VDC=0.3A AVERAGE, 0.5A PEAK
 OPERATING TEMPERATURE RANGE: -40F (-40C) TO 131F (55C)

CONNECTIONS:

22 GAGE BLACK WIRE 8.0"(203mm) LONG - GROUND
 22 GAGE GREEN WIRE 8.0"(203mm) LONG + TAIL
 22 GAGE WHITE WIRE 8.0"(203mm) LONG + PATTERN SELECT / SYNCH
 22 GAGE YELLOW/ BLACK WIRE 8.0"(203mm) + BRAKE / TURN
 22 GAGE YELLOW/ GREEN WIRE 8.0"(203mm) + WARNING
 22 GAGE YELLOW/ RED WIRE 8.0"(203mm) + WARNING

INSTALLATION:

*BEZEL MOUNT (BLACK -1 OR CHROME -1C)
 *GROMMET MOUNT -4

MATERIALS:

MODULE LENS: POLYCARBONATE
 MODULE HOUSING: POLYCARBONATE

CERTIFICATIONS:

TBD
 SEE CHART

PRODUCT LABEL:

WHITE POLYESTER STOCK 3" X .375"
 BLACK PRINT STAR LOGO

INDIVIDUAL PACKAGING: APPROXIMATELY [.34Kg] 0.75 lb.

COLOR HEADER CARD
 POLY BAG

INSTRUCTION SHEET:

1 PROVIDED ENGLISH

* MOUNTING METHOD

UNLESS OTHERWISE SPECIFIED DIMENSIONS ARE IN INCHES TOLERANCES: ANGULAR: ± 2 DEG. .X ± .100 .XX ± .020 .XXX ± .005 .XXXX ± .001	DRAWN BY: MD	STAR HEADLIGHT & LANTERN CO., INC. 455 Rochester St. Avon NY 14414 Ph:(585) 226-9500 Fax: (585) 226-2029
	DRAWING APPROVED BY ECR	
RoHS COMPLIANT: Yes	THE INFORMATION CONTAINED IN THIS DRAWING IS THE SOLE PROPERTY OF STAR HEADLIGHT & LANTERN CO., INC.. ANY REPRODUCTION IN PART OR AS A WHOLE WITHOUT THE WRITTEN PERMISSION OF STAR HEADLIGHT & LANTERN CO., INC. IS STRICTLY PROHIBITED.	
MATERIAL: N/A	MODEL: DLTRMC-*_*_***	
FINISH: N/A	TITLE: MODEL DRAWING	
	DWG. NO. DLTRMC	REV -
	SCALE: 1:2	DO NOT SCALE FROM DRAWING SHEET 1 OF 1