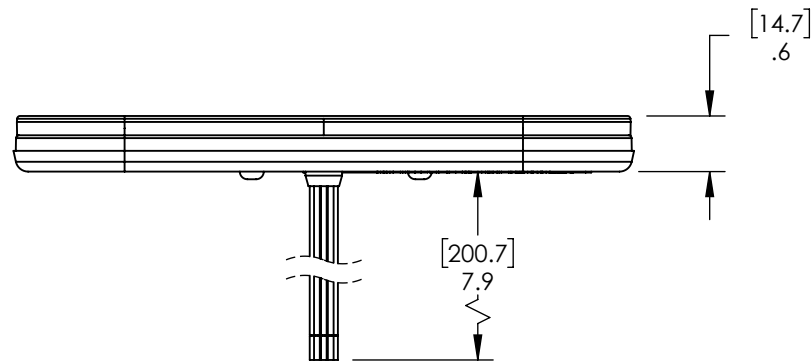
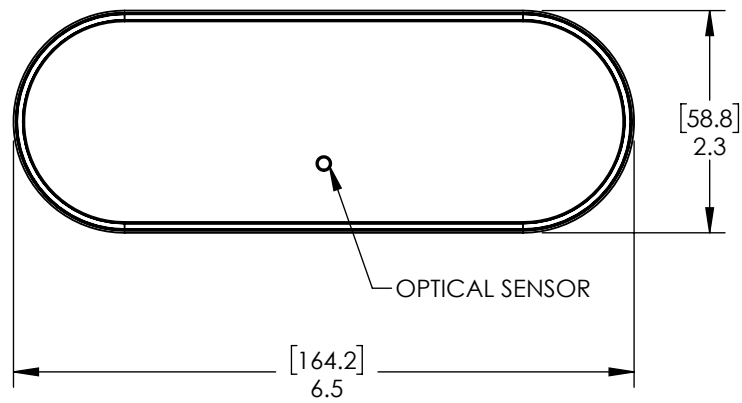


REV.	ECR	DESCRIPTION	DATE
-	17539	INITIAL DRAWING REQUEST	10/06/2020



**SPECIFICATIONS:**

OPERATING RANGE: 9-32VDC  
 NOMINAL VOLTAGE: 12/24 VDC  
 TYPICAL CURRENT DRAW: 12.8VDC=0.3A AVERAGE 0.5A PEAK  
 OPERATING TEMPERATURE RANGE: -40F (-40C) TO 131F (55C)

**CONNECTIONS:**

22 GAGE BLACK WIRE 8.0"(203mm) LONG - GROUND  
 22 GAGE GREEN WIRE 8.0"(203mm) LONG + TAIL  
 22 GAGE WHITE WIRE 8.0"(203mm) LONG + PATTERN SELECT / SYNCH  
 22 GAGE YELLOW/ BLACK WIRE 8.0"(203mm) + BRAKE  
 22 GAGE YELLOW/ GREEN WIRE 8.0"(203mm) + ENABLE LED POSITION 2  
 22 GAGE YELLOW/ RED WIRE 8.0"(203mm) + ENABLE LED POSITION 1

**INSTALLATION:**

\*BEZEL MOUNT (BLACK -1 OR CHROME -1C)  
 \*GROMMET MOUNT -4

**MATERIALS:**

MODULE LENS: POLYCARBONATE  
 MODULE HOUSING: POLYCARBONATE

**CERTIFICATIONS:**

**TBD**  
 SEE CHART

**PRODUCT LABEL:**

WHITE POLYESTER STOCK 3" X .375"  
 BLACK PRINT STAR LOGO

**INDIVIDUAL PACKAGING:** APPROXIMATELY [.34Kg](0.75 lb.)

COLOR HEADER CARD  
 POLY BAG

**INSTRUCTION SHEET:**

1 PROVIDED ENGLISH

\* MOUNTING METHOD

MODEL	DESCRIPTION	CERT MARKING
DLTTUMC-*-AWR	AMBER, WHITE, RED; SIX WIRE; S-LINK+; 36 LED'S.	TBD
DLTTUMC-*-RBA	RED, BLUE, AMBER; SIX WIRE; S-LINK+; 36 LED'S.	TBD

<b>UNLESS OTHERWISE SPECIFIED</b> DIMENSIONS ARE IN INCHES TOLERANCES: ANGULAR: ± 2 DEG. .X ± .100 .XX ± .020 .XXX ± .005 .XXXX ± .001	DRAWN BY: MD	<b>STAR HEADLIGHT &amp; LANTERN CO., INC.</b> 455 Rochester St. Avon NY 14414 Ph:(585) 226-9500 Fax: (585) 226-2029		
	DRAWING APPROVED BY ECR			
	RoHS COMPLIANT: YES	THE INFORMATION CONTAINED IN THIS DRAWING IS THE SOLE PROPERTY OF STAR HEADLIGHT & LANTERN CO., INC.. ANY REPRODUCTION IN PART OR AS A WHOLE WITHOUT THE WRITTEN PERMISSION OF STAR HEADLIGHT & LANTERN CO., INC. IS STRICTLY PROHIBITED.		MODEL: DLTTUMC-*-***
	MATERIAL: N/A	TITLE: MODEL DRAWING		DWG. NO. DLTTUMC
FINISH: N/A	SCALE: 1:2		DO NOT SCALE FROM DRAWING	REV -
			SHEET 1 OF 1	